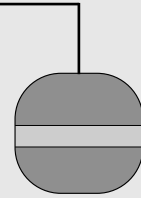


Trunk Cable, Tray-Rated

- Class I user (600V)

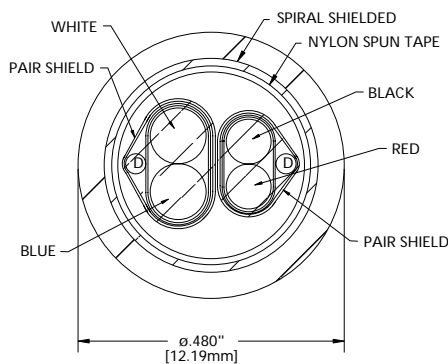
Bulk Tray-Rated, 600V-rate DeviceNet trunk cable is designed for use in Class I cabling installations. In such installations this cable can be routed adjacent to other 600 V or Class I rated cables in order to eliminate the use of conduit by "laying" this cable in a cable tray. Temporary field installations can be completed if the trunk by attaching Mini-Change® field attachable connector.



- Designated for tray-rating usage per NEC guidelines or where 600V cable requirements need to be met
- Meets or exceeds ODVA for highest system reliability

Specifications

CROSS-SECTIONAL VIEW



PART NUMBER	DESCRIPTION
84-0029	THICK CABLE, CLASS I/TRAY-RATED DEVICENET CABLE 15/18

*minimum order quantity: 250 ft.

OVERALL

RATING:

600V UL TYPE TC

MATERIALS:

PVC OUTER JACKET, PP INNER INSULATION (POWER), PVC WITH NYLON SKIN (DATA)
CONSTRUCTION: TWO SHIELDED PAIRS, WITH (1) #18 AWG (19X30AWG) COPPER DRAIN WIRE

CONSTRUCTION:

POWER PAIR

WIRE:

2 #16 AWG (19X29 AWG) INDIVIDUALLY TINNED COPPER

SHIELDING:

ALUMINUM OUTSIDE WITH POLYESTER TAPE OVERLAP

DC RESISTANCE:

3.6 OHMS/1000FT MAX @ 20°C

MAX AMPERAGE:

8A

COLOR CODE:

RED/BLACK

DATA PAIR

WIRE:

2 #18 AWG (19 X30 AWG) INDIVIDUALLY TINNED COPPER

SHIELDING:

ALUMINUM OUTSIDE/POLYESTER TAPE 25% OVERLAP

DC RESISTANCE:

6.9 OHMS/1000FT MAX @ 20°C

CAPACITANCE:

12 pF/ft

COLOR CODE:

WHITE/BLUE

VELOCITY OF PROPOGATION:

64% NOM

CABLE JACKET COLOR:

GRAY

APPROVALS

UL:

TYPE TC SVB 477, 1581 FLAME

CSA:

FT4