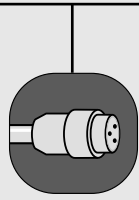


Double-Ended Cordsets

- Mini-Change® to Mini-Change cordsets



- Phosphor-bronze contacts for greatest reliability
- Variety of cable types, cable exit, coupling nut and length options for maximum system flexibility

Trunk line double-ended Mini-Change cordsets are used in a variety of configurations where a complete daisy-chain plug and play solution of the trunk is desired. These trunk line cordsets are designed to connect one node to the next. For instance double-ended cordsets can connect a tee to a "pass-thru" passive multiport to the "bus in" connection of an active block or to the "bus out" connection to the next node. Male connectors are supplied with externally threaded coupling nuts while female connectors are supplied with internally threaded coupling nuts. This allows you to daisy chain these cordsets in a variety of configurations.

Double-Ended Cordsets

Specifications

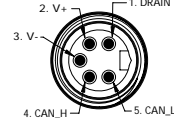
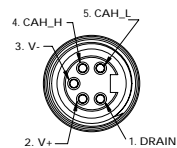
- MECHANICAL**
- CONNECTOR FACE: PVC-UL STD 94-V
 - MOLDED BODY: PVC-UL STD 94-V
 - COUPLING NUT: ZINC DIECAST W/ BLACK EPOXY COAT
OPTIONAL STAINLESS STEEL OR NICKEL-COATED
 - CABLE: THICK – SEE PAGE 20 FOR SPECIFICATIONS
MID – SEE PAGE 23 FOR SPECIFICATIONS
THICK-FLEX – SEE PAGE 21 FOR SPECIFICATIONS
 - OUTSIDE DIAMETER: THICK – 0.475" (12.1 mm)
MID – 0.330" (8.38 mm)
THICK-FLEX – 0.48" (12.2 mm)
- ELECTRICAL**
- VOLTAGE RATING: 300V AC / DC
 - AMPERAGE: 3A BASED ON CABLE TYPE
 - CONTACTS: PHOSPHOR-BRONZE BASE MATERIAL
 - CONTACT PLATING: GOLD OVER NICKEL PER ODVA SPECS
- ENVIRONMENTAL**
- PROTECTION: IP68, NEMA 6P
 - AMBIENT OPERATING TEMP: -4° TO 176° F (-20° TO 80° C)
- CERTIFICATIONS**
- UL: UL RECOGNIZED, FILE NO E46237
 - CSA: CSA CERTIFIED, FILE NO LR6837

Trunk Double-Ended Cordsets

FEMALE

MALE

FACE VIEWS



FEMALE/MALE	FIG	DOUBLE-ENDED CORDSETS WITH THICK TRUNK CABLE 1 METER LONG
STRAIGHT/STRAIGHT	1	DN11A-M010
90°/STRAIGHT	2	DN91A-M010
STRAIGHT/90°	3	DN19A-M010
90°/90°	4	DN99A-M010

CATALOG OPTIONS

See pages 30-31 for additional mating receptacles

Use the following chart to modify your part's specifications

DN 11A-M010

CABLE OPTION

DEVICENET MID. ADD B
DEVICENET THICK-FLEX RATED. ADD F
CLASS I 600V, TRAY-RATED ADD E

COUPLING NUT

STAINLESS STEELSS
BRASS-NICKEL-COATEDNB

CABLE LENGTH

0.5 METERM005
2 METERM020
5 METERM050

CONNECTOR DIMENSIONS

Female Straight/Male Straight

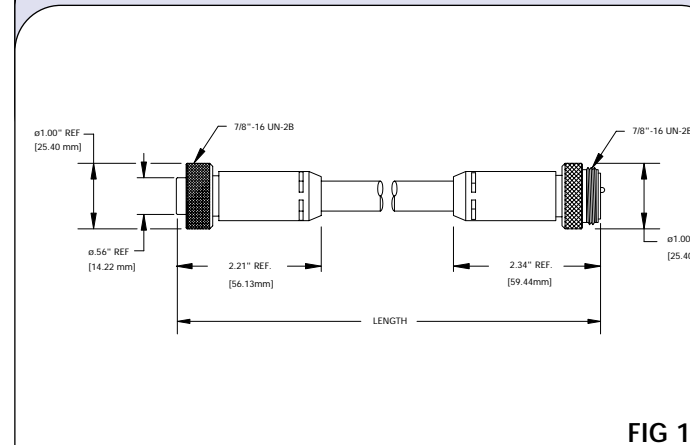


FIG 1

Female Straight/Male 90°

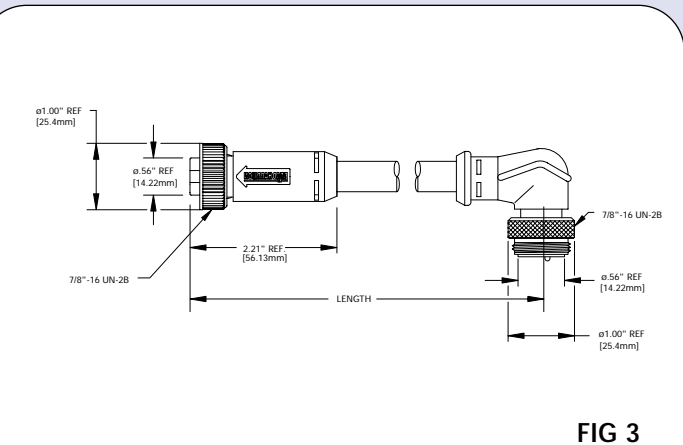


FIG 3

Female 90°/Male Straight

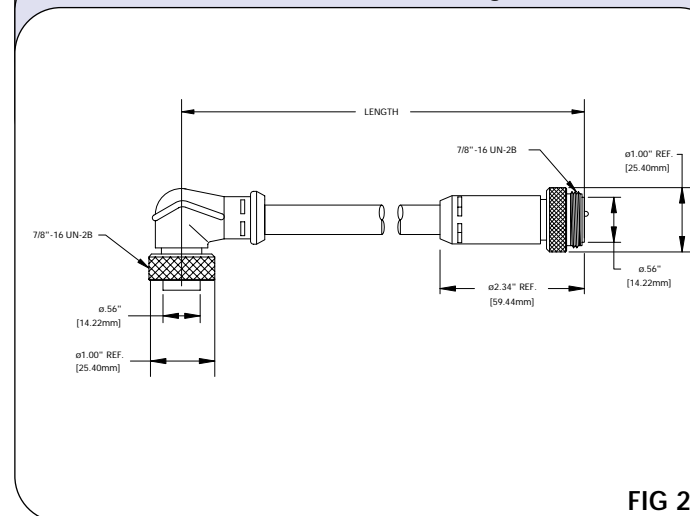


FIG 2

Female 90°/Male 90°

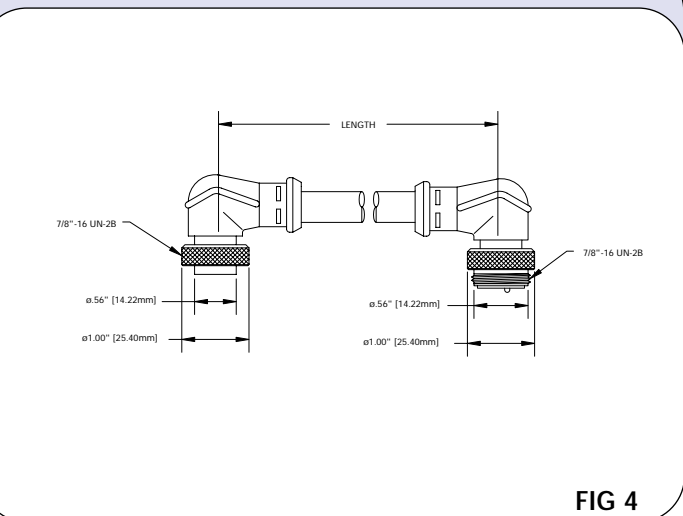


FIG 4