

Receptacles

- Male and female Mini-Change® receptacles
- Bulkhead feed-thru

A variety of receptacles allows for the trunk line to come into an enclosure and make connection to inside of the panel components. Male or female receptacles are mounted to the enclosure and the back end trunk cabling can be wired to the open terminal strip of a motor controller, the master scanner or a power supply for the network. The length of the cabling can be varied. The bulkhead version allows a quick-disconnect to exist both on the exterior and interior of the panel or wall.

- Receptacles offered with a variety of cable and length options for maximum flexibility
- Bulkhead version features rugged keyways for positive alignment of connections

Receptacles

Specifications

RECEPTACLE DIMENSIONS

Male Straight w/ 1/2" -14NPT Mounting Threads

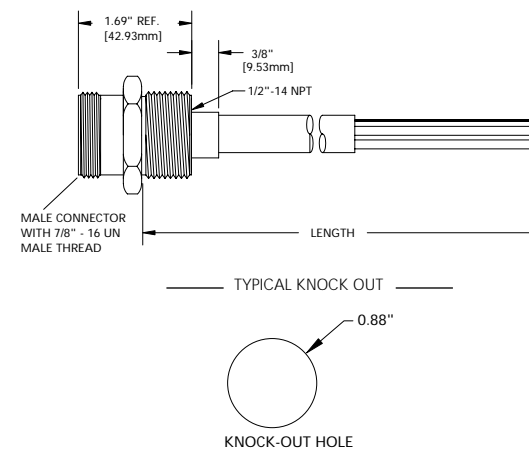


FIG 1

- MECHANICAL**
 SHELL (RECEPTACLE): GRAY ANODIZED ALUMINUM
 SHELL (BULKHEAD): NICKEL-BRASS
 GASKET MATERIAL (BULKHEAD): NEOPRENE
 THRUST WASHER (BULKHEAD): NYLON
 LOCKNUT MATERIAL (BULKHEAD): BRASS ALLOY
 INSERT: PVC – UL STD 94V
 CABLE: THICK – SEE PAGE 20 FOR SPECIFICATIONS
 MID – SEE PAGE 23 FOR SPECIFICATIONS
 THICK-FLEX – SEE PAGE 21 FOR SPECIFICATIONS
- ELECTRICAL**
 VOLTAGE RATING: 300V AC/DC
 AMPERAGE: BASED ON CABLE USED
- ENVIRONMENTAL**
 PROTECTION: IP 68, NEMA 6P
 AMBIENT OPERATING TEMP: -4° TO 176° F (-20° TO 80° C)
 (EXCEPT FOR BULKHEAD)
- CERTIFICATIONS**
 UL: UL RECOGNIZED, FILE NO. E46237
 CSA: CSA CERTIFIED, FILE NO. LR6837

Female Straight w/ 1/2" -14NPT Mounting Threads

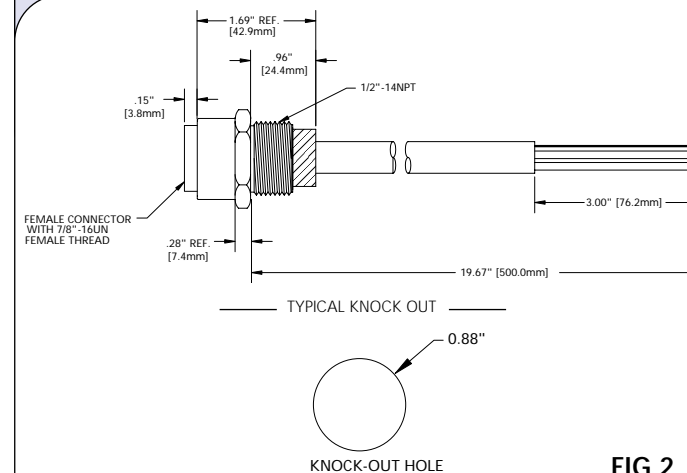


FIG 2

RECEPTACLE DIMENSIONS

Male PCB Mount

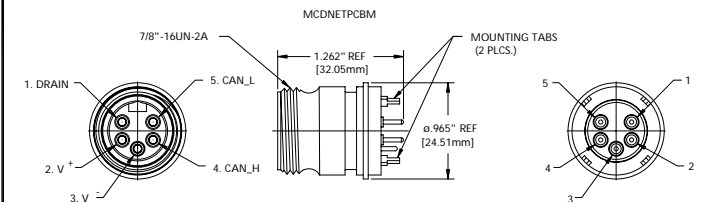


FIG 4

Bulkhead Feed Thru

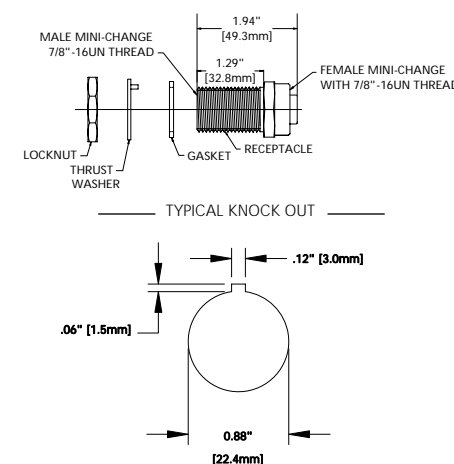


FIG 3

Female PCB Mount

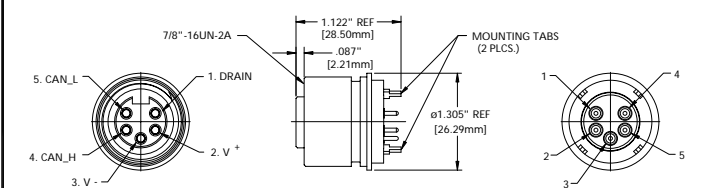
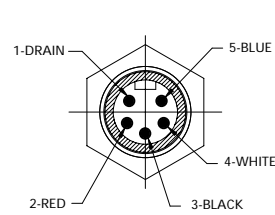


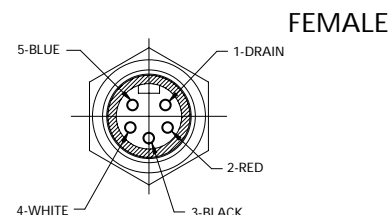
FIG 5

Receptacles

FACE VIEWS



MALE



FEMALE

MALE	FIG	RECEPTACLES WITH DEVICENET THICK CABLE 1 METER LONG
STRAIGHT W/ 1/2" -14NPT	1	DN5100-M010
FEMALE	FIG	RECEPTACLES WITH DEVICENET THICK CABLE 1 METER LONG
STRAIGHT W/ 1/2" -14NPT	2	DN5000-M010
MALE/FEMALE	FIG	BULKHEAD FEED-THRU
STRAIGHT W/ 1/2" -14NPT	3	1R5030
MALE	FIG	RECEPTACLES PCB MOUNT
STRAIGHT W/ 1/2" -14NPT	4	67-0065
FEMALE	FIG	RECEPTACLES PCB MOUNT
STRAIGHT W/ 1/2" -14NPT	5	67-0075

CATALOG OPTIONS

Use the following chart to modify your part's specifications

DN 5000 - M010

CABLE OPTION

MID CABLE ADD B

COUPLING NUT

STAINLESS STEEL ADD SS
 NICKEL-BRASS ADD NB

CABLE LENGTH

0.5 METER M005
 2 METER M020