

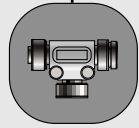
# Diagnostic Tee

# Diagnostic Tee

## Specifications

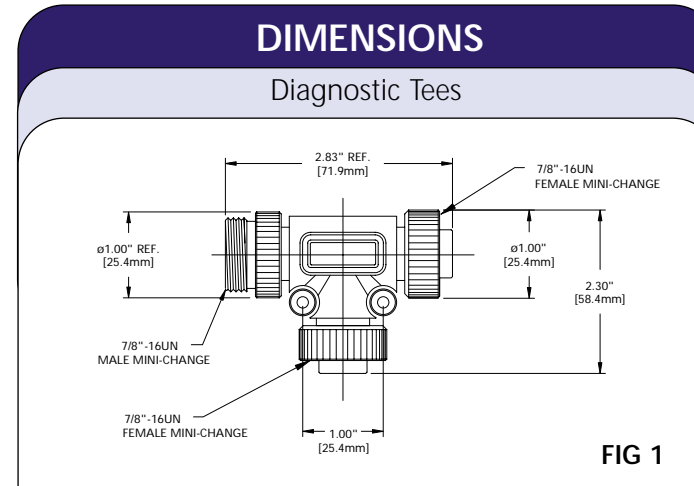


The Power Monitor Tee™ is a helpful DeviceNet diagnostic tool installed at critical junctions of your network. It is designed to show you what the power condition is, when an improper condition occurred and what that condition was. The NetAlert™ diagnostic power monitor tee constantly monitors your network for real-time power fluctuations providing intuitive multi-colored LED indications about the feedback on network power. Power line fault conditions are "held" in memory for a period of 24 hours or until a magnet resets to resume normal monitoring operation.



- Minimizes maintenance repair and downtime by analyzing bus power quality
- Predicts power faults by logging outside of specification power conditions thereby increasing uptime
- Helps quickly certify new installations

- MECHANICAL**  
 CONNECTOR FACE: THERMO PLASTIC ELASTOMER  
 MOLDED BODY: THERMO PLASTIC ELASTOMER  
 COUPLING NUT: ZINC DIECAST BLACK E-COAT
- ELECTRICAL**  
 POWER SUPPLY: 7-30V DC, < 50mA  
 BASIC ANALOG ACCURACY: ± 100mV  
 MINIMUM "LOW" VOLTAGE THRESHOLD: <12.96V  
 NOMINAL "OK" VOLTAGE RANGE: 12.96V – 24.78V  
 MAXIMUM "HIGH" VOLTAGE THRESHOLD: >24.78V  
 GLITCH/RIPPLE THRESHOLD (AV/AT): VAR 75 V/S @ 16mS TO 640 V/S @ 1mS  
 RESET: MAGNET AT DROP "RESET" CHANGES MAG REED SWITCH STATE
- ENVIRONMENTAL**  
 PROTECTION: IP67  
 AMBIENT OPERATING TEMP: 32° TO 140° F (0° TO 60° C)



Diagnostic Tees					
LEFT TRUNK CONNECTION MALE FACE VIEW		RIGHT TRUNK CONNECTION FEMALE FACE VIEW		DROP FEMALE CONNECTOR FACE VIEW	
FIG	DIAGNOSTIC POWER MONITOR TEE				
MALE (L) FEMALE(R)	1	DN3020PM-1			
LEFT TRUNK CONNECTION FEMALE FACE VIEW		RIGHT TRUNK CONNECTION MALE FACE VIEW		DROP FEMALE CONNECTOR FACE VIEW	
FIG	DIAGNOSTIC POWER MONITOR TEE				
FEMALE (L) MALE(R)	1	DN3020PM-3			

International patents pending

DIAGNOSTIC TEE		
INDICATION	LED DISPLAY	CONDITION
OK	GREEN	NORMAL
HI	RED	OVERVOLTAGE
LO	BLUE	UNDERVOLTAGE
HI	FLASHING RED	SURGE W/ IN LAST 24 HOURS
LO	FLASHING BLUE	BROWN OUT W/ IN LAST 24 HOURS
AC	FLASHING YELLOW	POWER GLITCH W/ IN LAST 24 HOURS