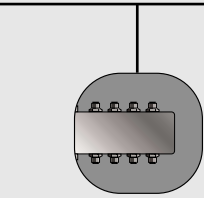


## Passive Drop Multi-ports

- 4 port Mini-Change® passive drop
- 6 port Mini-Change passive drop
- 8 port Mini-Change passive drop

Passive drop Multi-port boxes allow several trunk cables with Mini-Change style of connectors to be consolidated and be connected to the trunk. The drop style multi-ports are available to consolidate 4, 6 or 8 connections of drop cables. Connections to the bus are generally made with passive tee connections. Passive drop multi-ports eliminate the need to have numerous tees connected near a single point. These drop boxes replace multiple Tees (which are not recommended to be gauged together) providing for a more robust plug-and-play DeviceNet system.



- A family of configurations from 4-to 8-port for maximum installation flexibility
- Rugged enclosure for reliable connectors in an industrial environment

## Passive Drop Boxes

### Specifications

- MECHANICAL**  
 INSERT: PVC  
 HOUSING: PET (POLYESTER)  
 RECEPTACLE HOUSING: ZINC DIECAST WITH BLACK EPOXY COAT  
 ID LABEL: ABS
- ELECTRICAL**  
 VOLTAGE RATING: 120V AC / DC  
 AMPERAGE: 7A TOTAL PER MPIS UNIT
- ENVIRONMENTAL**  
 PROTECTION: IP68, NEMA 6P  
 AMBIENT OPERATING TEMP: 32° TO 140° F (0° TO 60° C)
- CERTIFICATIONS**  
 UL: UL RECOGNIZED, FILE NO. E46237  
 CSA: CSA CERTIFIED, FILE NO. LR6837

### DIMENSIONS

#### 4 Port

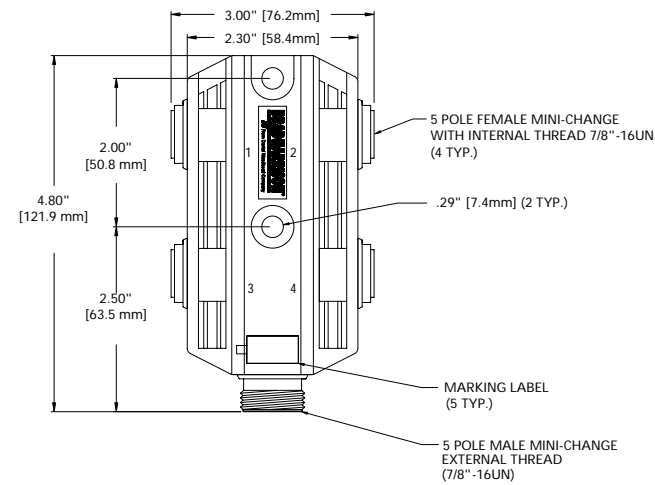


FIG 4

#### 6 Port

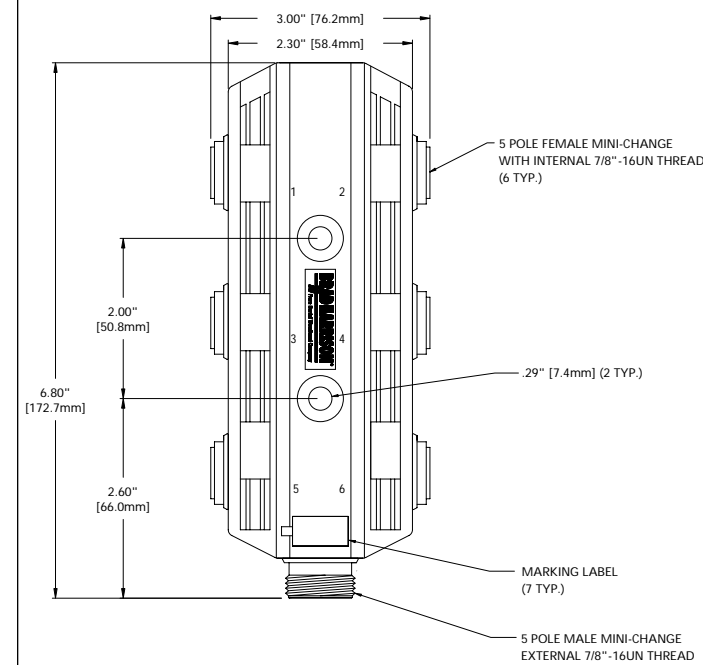


FIG 5

### DIMENSIONS

#### 8 Port

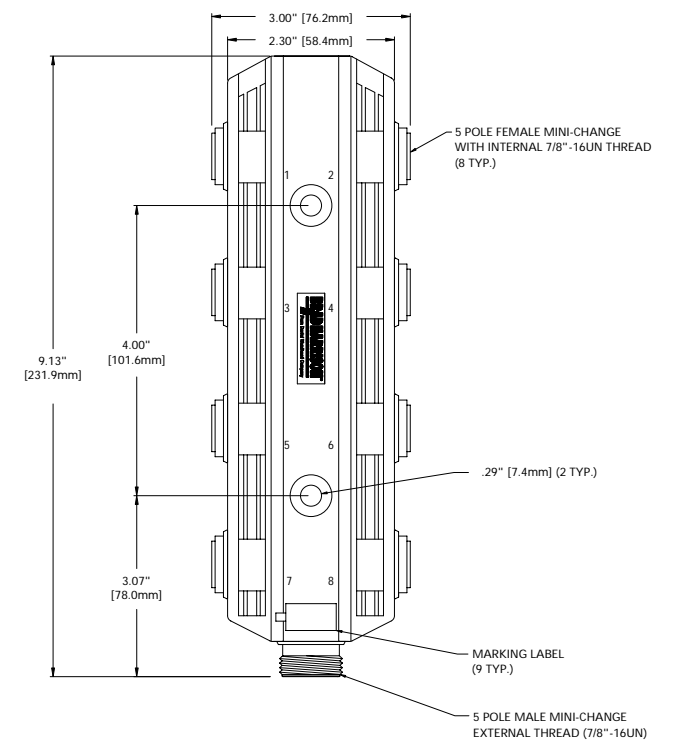


FIG 6

## Passive Drop Boxes

FUNCTIONAL WIRING/CONNECTOR FACE VIEWS

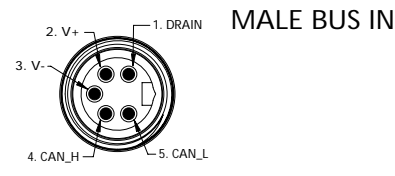
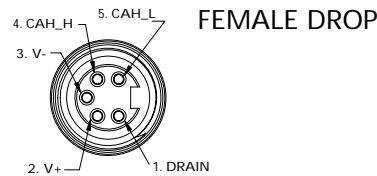


	FIG	PASSIVE MINI-CHANGE MPIS	
4 PORT	1 AND 4	DN4000	
6 PORT	2 AND 5	DN6000	
8 PORT	3 AND 6	DN8000	

See Thick Media pages 22-25 to connect to these passive boxes

## SCHEMATICS

#### 4 PORT

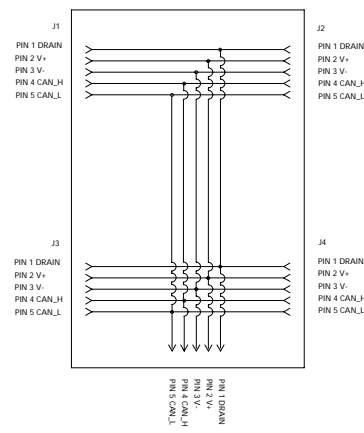


FIG 1

#### 6 PORT

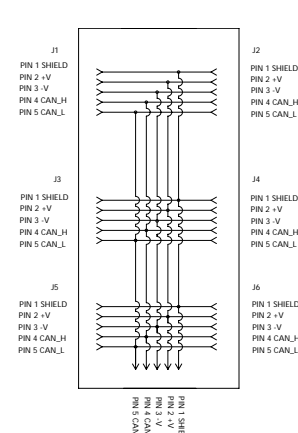


FIG 2

#### 8 PORT

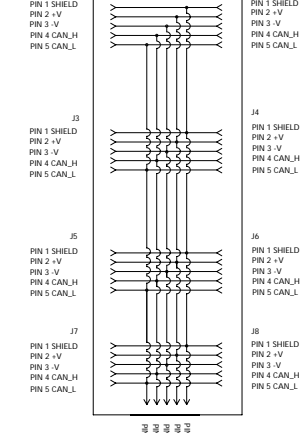


FIG 3