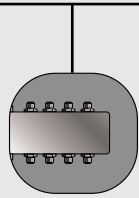


Passive Pass-Thru Boxes

- 4-port Mini-Change® Pass-thru
- 6-port Mini-Change Pass-thru

Pass-thru multiports are designed to consolidate up to 6 drop cables back to the trunk line. The connection of the trunk line is made directly inline to the multiport via the side-mounted BUS IN and BUS OUT connections. These pass-thru versions are available in both 4 and 6 connection versions. Passive drop multiports eliminate the need to have numerous tees connected near a single point.

- Family of configurations for maximum flexibility
- Simple BUS IN/BUS OUT connections for connection convenience
- Rugged housing and connectors designed to withstand tough industrial environments



Passive Pass-Thru Boxes

Specifications

- MECHANICAL**
 INSERT: PVC
 HOUSING: PET (POLYESTER)
 RECEPTACLE SHELL: ZINC DIECAST WITH BLACK EPOXY COAT
 ID LABEL: ABS
- ELECTRICAL**
 VOLTAGE RATING: 120V AC / DC
 AMPERAGE: 7A TOTAL PER MPIS UNIT
- ENVIRONMENTAL**
 PROTECTION: IP68, NEMA 6P
 AMBIENT OPERATING TEMP: 32° TO 140° F (0° TO 60° C)
- CERTIFICATIONS**
 UL: UL RECOGNIZED, FILE NO E46237
 CSA: CSA CERTIFIED, FILE NO LR6837

DIMENSIONS

4-Port

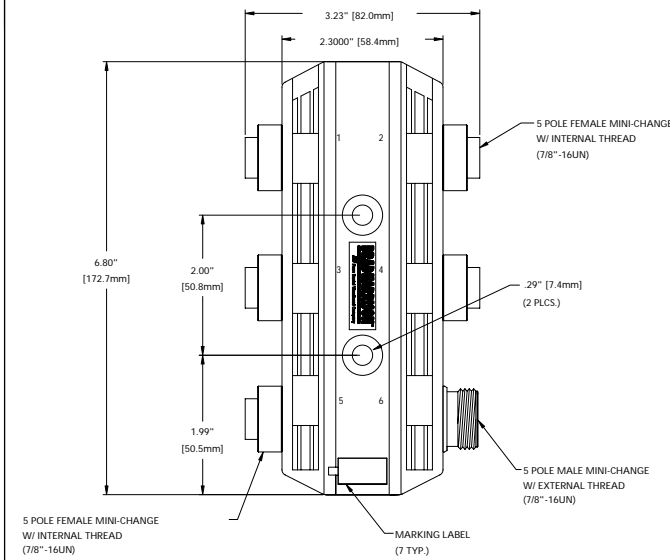


FIG 1

6-Port

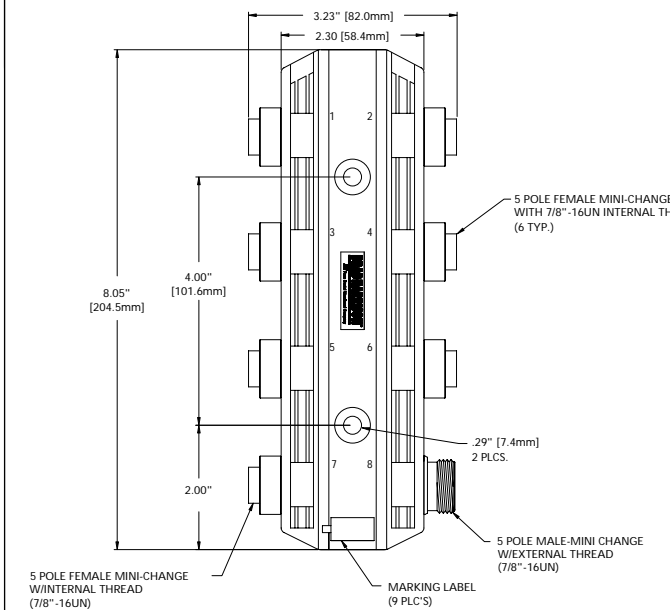


FIG 2

SCHEMATICS

4-Port

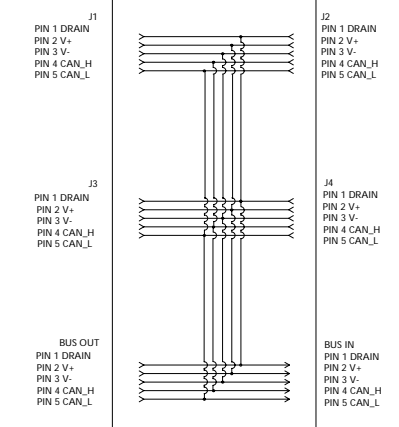


FIG 3

6-Port

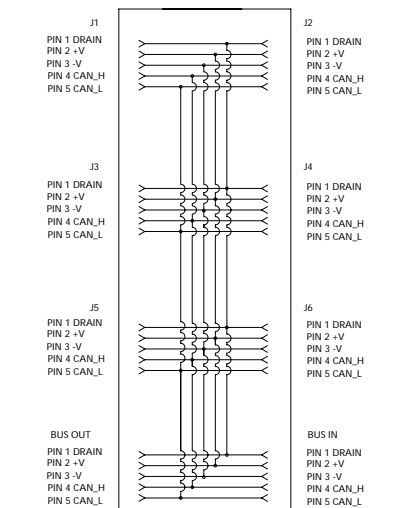
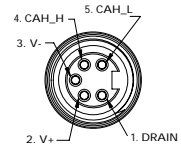


FIG 4

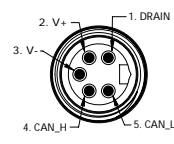
Passive Pass-Thru Boxes

FUNCTIONAL WIRING/CONNECTOR FACE VIEWS

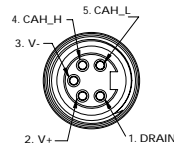
FEMALE PASS-THRU



MALE BUS-IN



FEMALE BUS-OUT



PASS-THRU PASSIVE DROP

	FIG	PASS-THRU PASSIVE DROP
4-PORT	1 AND 3	DN4100
6-PORT	2 AND 4	DN6100

See Thick Media pages 24-27 to connect to these pass - thru boxes