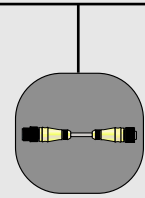


Back Panel Mount Double-Ended Cordsets

- Micro-Change® Double-Ended Cordsets
- Straight and 90° to back panel mount

Back panel mount receptacles allow you to complete DeviceNet connectivity from inside the control cabinet to the outside of your control enclosure. These double-ended cordsets allow you to connect a device inside the panel on one end with the other end being a connection point outside the cabinet. A variety of length and material and cable options are available.

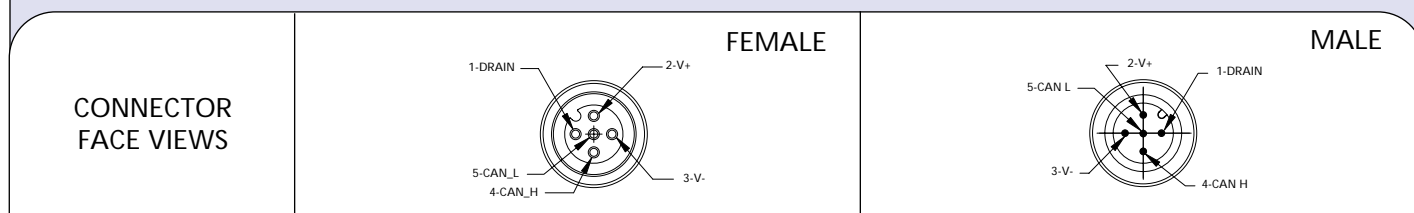


- Back panel mount receptacles are used to couple connectivity from the inside to the outside of the control panel
- A variety of configurations are available for maximum flexibility

Back Panel Mount Double-Ended Cordsets Specifications

- MECHANICAL**
 CONNECTOR FACE: NYLON 6/6
 MOLDED BODY: PVC
 COUPLING NUT: ZINC DIECAST W/ BLACK EPOXY COATING
 OPTIONAL STAINLESS STEEL OR NICKEL-BRASS
- SHELL: NICKEL-BRASS
 SHELL INSERT: NYLON 6/6
 CABLE: THIN - SEE PAGE 46 FOR SPECIFICATIONS
 OUTSIDE DIAMETER: THIN - 0.27" (6.9 mm)
- ELECTRICAL**
 VOLTAGE RATING: 250V AC / DC
 AMPERAGE: 4A
 CONTACTS: PHOSPHUR BRONZE ALLOY
 CONTACT PLATING: GOLD OVER NICKEL PER ODVA SPECIFICATIONS
- ENVIRONMENTAL**
 PROTECTION: IP68, NEMA 6P
 AMBIENT OPERATING TEMP: 4° TO 221° F (-20° TO 105° C)
- CERTIFICATIONS**
 UL: PENDING
 CSA: PENDING

Back Panel Mount Double-Ended Cordsets



FEMALE/MALE	FIG	DOUBLE-ENDED CORDSETS MICRO-CHANGE BACK PANEL MOUNT
STRAIGHT MICRO-CHANGE / BACK PANEL MICRO-CHANGE	1	DNDC302A-M010
90° MICRO-CHANGE / BACK PANEL MICRO-CHANGE	2	DNDC303A-M010
BACK PANEL MICRO-CHANGE / STRAIGHT MICRO-CHANGE	3	DNDC220A-M010
BACK PANEL MICRO-CHANGE / 90° MICRO-CHANGE	4	DNDC230A-M010

CATALOG OPTIONS

Use the following chart to modify your part's specifications

DNDC302A-M010

COUPLING NUT

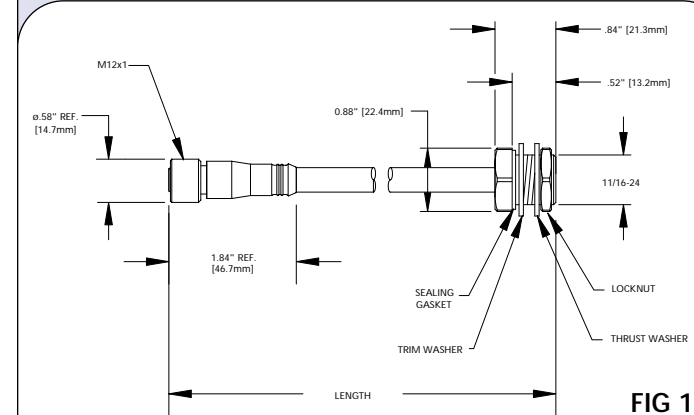
- STAINLESS STEELSS
- NICKEL-BRASSNB

CABLE LENGTH

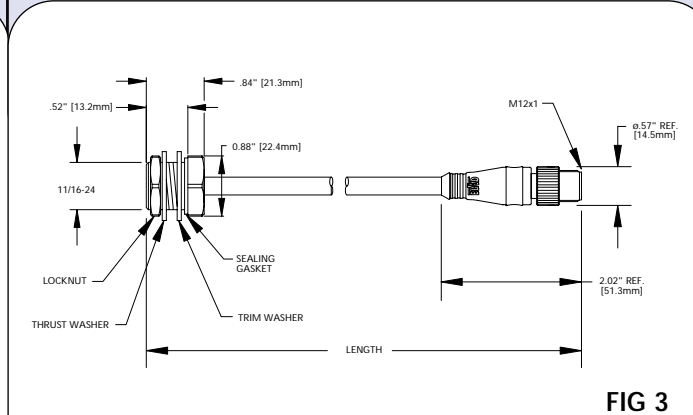
- 0.5 METERM005
- 2 METERM020
- 5 METERM050

CONNECTOR DIMENSIONS

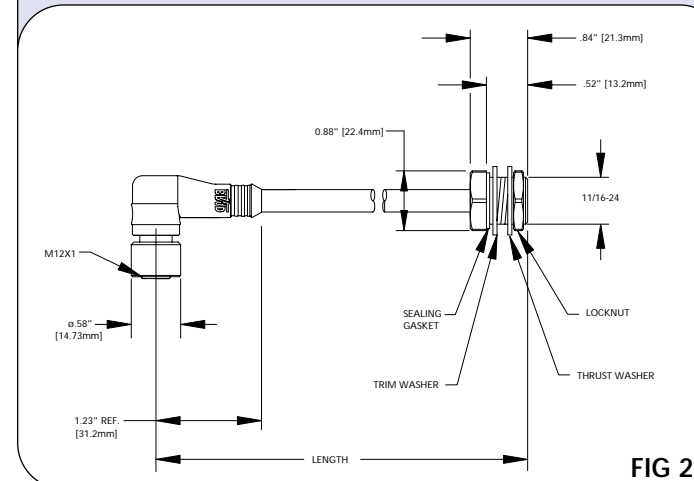
Female Straight/Male Back Panel Mount



Female Back Panel Mount/Male Straight



90° Female/Male Back Panel Mount



Female Back Panel Mount/Male 90°

