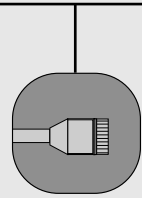


Field-Attachable Connectors

- Male and female versions
- Internal and external threads



- Color-coded screw terminals make for error-free field installation
- Rugged housing material designed to withstand industrial environments

DeviceNet Micro-Change® field-attachable connectors allow you to make field connections to bulk thin cable. The color-coded screw terminals allow for simple field installation of drop line connected devices such as motion controllers, active I/O modules or other active "nodes."

Field-Attachable Connectors Specifications

- MECHANICAL**
 CONNECTOR FACE: POLYAMIDE
 MOLDED BODY: POLYAMIDE
 CONTACT: SILVER-PLATED BRASS
 COUPLING NUT: NICKLE-PLATED BRASS
 GROMMET: NITRILE RUBBER
 CABLE RANGE OD: 0.16-32" OD (4.1-8.1 mm)
 ACCEPTABLE CABLE TYPES: THIN, THIN-FLEX, THIN-600V
 COLOR CODING: PER DNET STANDARDS
- ELECTRICAL**
 VOLTAGE RATING: 36V DC
 AMPERAGE: 4A
- ENVIRONMENTAL**
 PROTECTION: IP68
 AMBIENT OPERATING TEMP: -13° TO 194° F (-25° TO 90° C)
- CERTIFICATIONS**
 CSA: CSA CERTIFIED, FILE NO LR6835



Drop Field-Attachable Connectors

FACE VIEWS		
VOLTAGE	36V	
CURRENT	4A	
CABLE RANGE	0.16 - 0.32" OD CABLE (THIN)	

FEMALE	FIG	DROP-ATTACHABLE CONNECTORS WITH COLOR-CODED SCREW TERMINATIONS
STRAIGHT W/ INTERNAL THREADS	1	8A5000-32DN
MALE	FIG	DROP-ATTACHABLE CONNECTORS WITH COLOR-CODED SCREW TERMINATIONS
STRAIGHT W/ EXTERNAL THREADS	2	8A5006-32DN

CONNECTOR DIMENSIONS

Female Straight

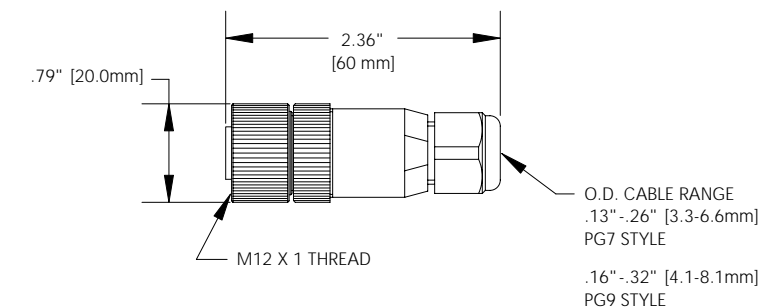


FIG 1

Male Straight

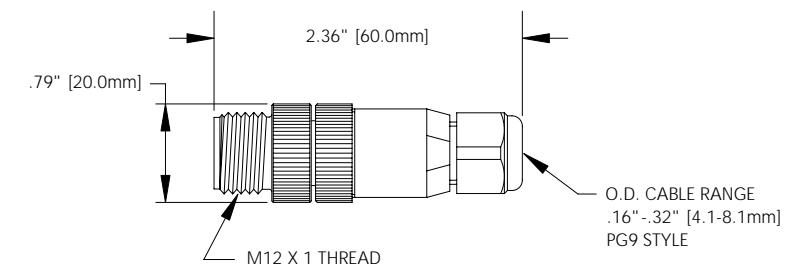


FIG 2