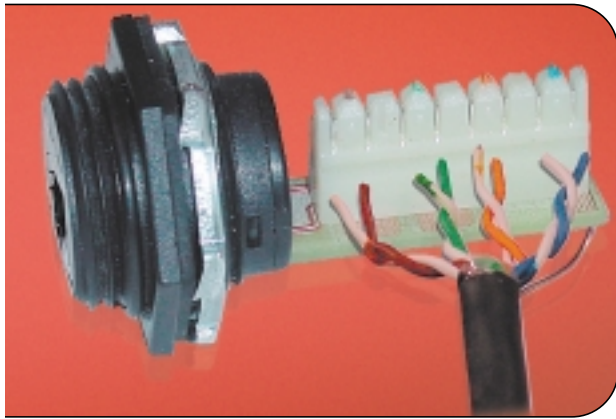
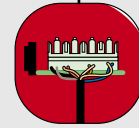


110 Punchdown Receptacle

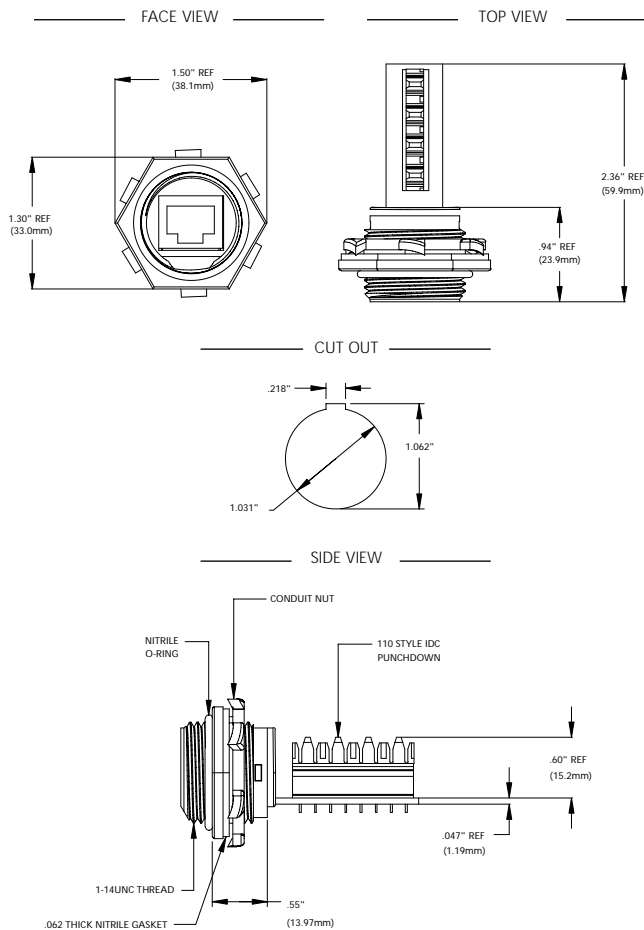


When wiring a factory or commercial facility, it is often desirable to first install the receptacles in the chosen location, then pull bulk cable to the receptacle and field terminate. The RJ-Lnxx® 110 punchdown receptacle offers an Insulation Displacement Connector (IDC) termination to the back of the receptacle that can be completed with any standard punchdown tool. This product is ideal for creating work area outlets in harsh environments, for use in industrial machinery that needs to be assembled at the end user site or for insertion of multiple units into an enclosure to create your own IP67 sealed patch panel.

- Simple field termination of cable using a standard punchdown tool
- Category 5e compliant
- Can be used with TIA 568A or 568B wiring sequences
- Color-coded block simplifies field wiring
- Achieves IEC IP67 rated seal when mated with RJ Lnxx cordset – but also compatible with commercial RJ-45 patch cords

Specifications

RECEPTACLE DIMENSIONS



- O-RING MATERIAL: VITON
- INSERT MATERIAL: ACRYLONITRILE-BUTADIENE-STYRENE (ABS)
- OVERMOLD MATERIAL: POLYURETHANE
- COUPLING NUT MATERIAL: ACRYLONITRILE-BUTADIENE-STYRENE (ABS)
- SHELL MATERIAL: ACRYLONITRILE-BUTADIENE-STYRENE (ABS)
- KNOCKOUT HOLE: 1.063
- THREAD SIZE: UNC 1" - 14
- PANEL THICKNESS: .125" MAXIMUM WITH GASKET, .187" MAXIMUM WITHOUT GASKET, .062" MINIMUM
- OPERATING TEMPERATURE: -20° TO 80° C
- RETURN LOSS: 5 dB @ 100 MHZ
- ENVIRONMENTAL RATING: IEC IP67
- TIA/EIA RATING: CATEGORY 5E COMPLIANT
- RJ-45 JACK PLATING:** 50 MICRON OF GOLD OVER 100 MICRONS OF NICKEL
- CURRENT RATING: 1.5 A
- VOLTAGE RATING: 125V DC

PART NUMBER	DESCRIPTION
ENDR2FB5	RJ-45 RECEPTACLE W/ 110 PUNCHDOWN TERMINATION