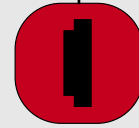


Standard PC Board Receptacle



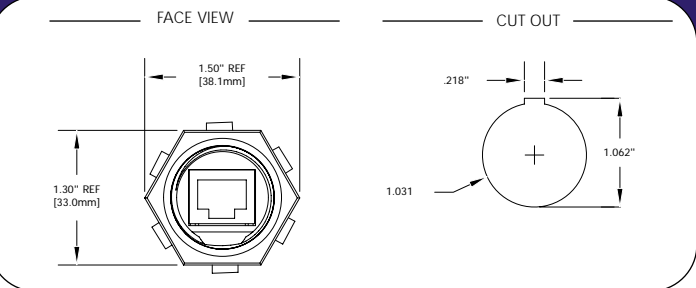
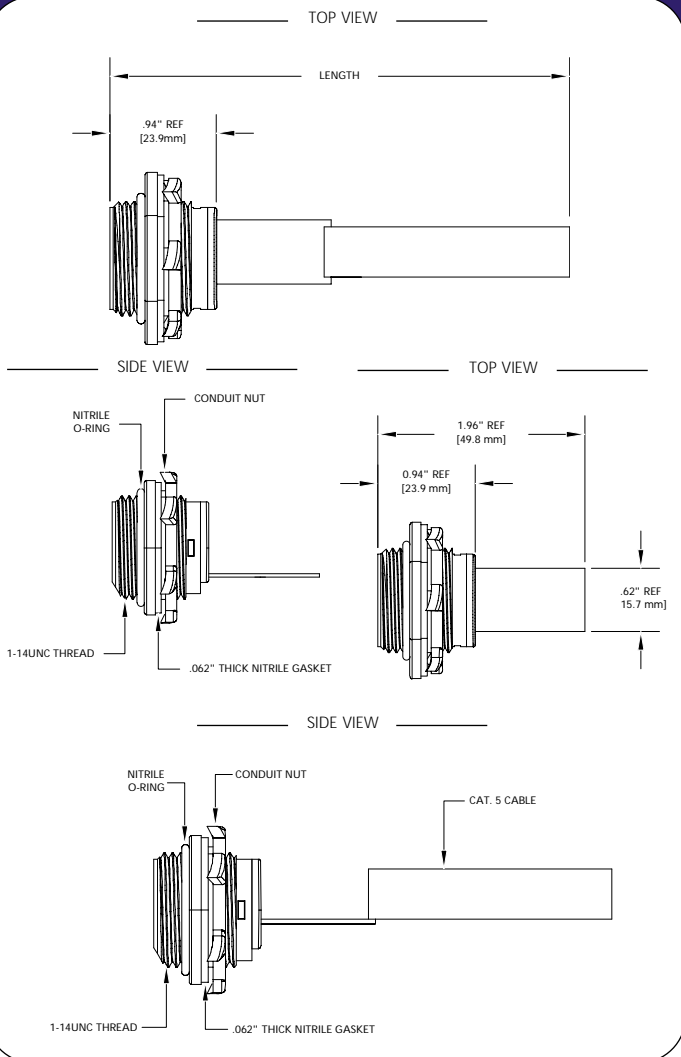
RJ-Lnxx® standard PC Board receptacles provide a variety of options for incorporation into a device or panel, particularly when the Ethernet transceiver is located some distance from the desired mounting point for the receptacle. The base version provides 8 thru holes, plus shield, which allow users to create their own termination on both ends. The other versions provide 12" of cable terminated on the board end. 10Base-T or wiring 568A wiring sequences are available.



- Highly flexible solution for OEM's or end users looking to incorporate a sealed, robust receptacle into their field device or control panel
- Achieves IEC IP67 rated seal when mated with an RJ-Lnxx cordset – but also compatible with commercial RJ-45 patch cords

Specifications

RECEPTACLE DIMENSIONS



- O-RING MATERIAL: VITON
 INSERT MATERIAL: ACRYLONITRILE-BUTADIENE-STYRENE (ABS)
 OVERMOLD MATERIAL: POLYURETHANE
 COUPLING NUT MATERIAL: ACRYLONITRILE-BUTADIENE-STYRENE (ABS)
 SHELL MATERIAL: ACRYLONITRILE-BUTADIENE-STYRENE (ABS)
 KNOCKOUT HOLE: 1.063"
 THREAD SIZE: UNC 1" - 14
 PANEL THICKNESS: .125" MAXIMUM WITH GASKET, .187" MAXIMUM WITHOUT GASKET, .062" MINIMUM
- OPERATING TEMPERATURE: -20° TO 80° C
 RETURN LOSS: 5 dB @ 100 MHZ
 ENVIRONMENTAL RATING: IEC IP67
 TIA/EIA RATING: NOT RATED AS ADDITIONAL CUSTOMER TERMINATION IS REQUIRED
- RJ-45 JACK**
 PLATING: 50 MICRON OF GOLD OVER 100 MICRONS OF NICKEL
- CURRENT RATING: 1.5 A
 VOLTAGE RATING: 125V DC

PART NUMBER	DESCRIPTION
ENSR1FB5	RECEPTACLE W/ PC BOARD
ENSR1FB5C305	RECEPTACLE W/ PCB AND 12" OF CABLE (10 BASE-T)
ENSR2FB5C305	RECEPTACLE W/ PCB AND 12" OF CABLE (568A)