

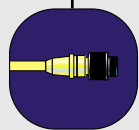
# Receptacles

# Receptacles

## Specifications



Brad Harrison® 5-pole Mini-Change® receptacles are used to connect auxiliary power to a variety of devices including active I/O blocks. The receptacles can be mounted to the enclosure allowing the wire leads to be connected to the power supply. Female receptacle connections bring power safely out of the cabinet to a mating 5-pole Mini-Change cordset, which in turn can be connected to the auxiliary power port on the Profibus active I/O block. Receptacles used in conjunction with double-ended cordsets provide a quick-disconnect solution for your power source.



- #16 AWG yellow STOOW cable – U.S. color code
- Oil-resistant PVC jacket
- Low-resistance contact design with gold/palladium nickel plating
- Can be used to provide power to a Siemens ET 200 block

<b>MECHANICAL</b>	
CONNECTOR FACE:	PVC – UL STD 94 – VO
SHELL:	ANODIZED ALUMINUM (1/2" NPT) OR NICKEL-PLATED BRASS (PG 11)
	#16 AWG PVC CONDUCTOR INSULATION OVER 20 X 30 COPPER STRANDING, UL STOOW CSA ST
CABLE DIAMETER:	5P - .50" (12.7mm)
<b>ELECTRICAL</b>	
VOLTAGE RATING:	600V AC/DC
AMPERAGE:	8 A
<b>ENVIRONMENTAL PROTECTION:</b>	IP68, NEMA 6P
AMBIENT	
OPERATING TEMP:	-4° TO 221° F (-20° TO 105° C)
<b>CERTIFICATIONS</b>	
UL:	UL RECOGNIZED, FILE NO. E46237
CSA:	CSA CERTIFIED, FILE NO. LR6837

## Receptacles

FACE VIEWS	MALE	FEMALE
COLOR CODE	1- WHITE (OUTPUT POWER V-) 2- RED (BUS/INPUT POWER V-) 3- GREEN (EARTH GROUND)	4- ORANGE (BUS/INPUT POWER V+) 5- BLACK (OUTPUT POWER V+)

MALE	RECEPTACLES WITH #16 AWG PVC LEADS 12 INCHES LONG
STRAIGHT W/ 1/2" NPT THREAD	1R5006A20A120
STRAIGHT W/ M16 THREAD	51209-030 FOR USE WITH SIEMENS ET 200
FEMALE	RECEPTACLES WITH #16 AWG PVC LEADS 12 INCHES LONG
STRAIGHT W/ 1/2" NPT THREAD	1R5000A20A120

### CATALOG OPTIONS

See Brad Harrison catalog for additional power media

Use the following chart to modify your part's specifications

**1R5006A20A120**

#### RECEPTACLE TYPE

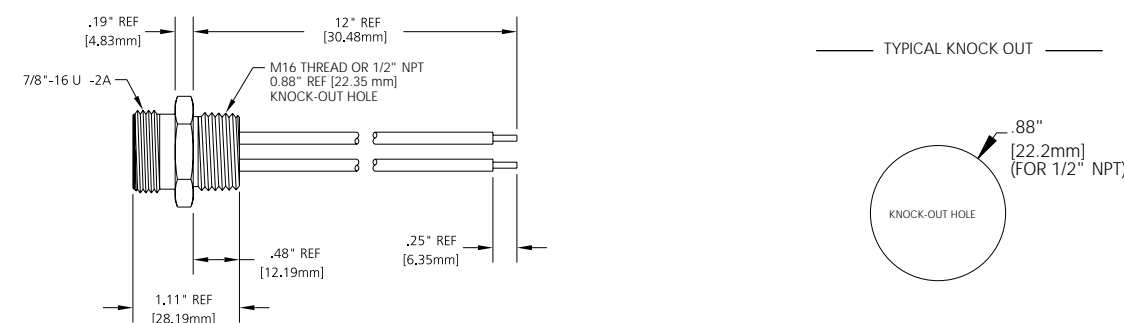
- STRAIGHT FEMALE INTERNAL THREAD . . .000
- STRAIGHT MALE EXTERNAL THREAD . . .006

#### LEAD LENGTH

- 12 INCH LEADS . . . . .A120
- 24 INCH LEADS . . . . .A240
- 6 FOOT LEADS . . . . .F060

## RECEPTACLE DIMENSIONS

Receptacles with #16 AWG PVC leads 12 inches long



Receptacles with #16 AWG PVC leads 12 inches long

