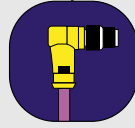


## Double-Ended Cordsets

- Double-ended straight
- Double-ended 90°

Profibus double-ended cordsets are used in a variety of configurations where a complete daisy-chain plug-and-play solution is desired. These cordsets are designed to connect one module to the next. For instance, double ended-cordsets can connect to the bus IN connection of a Profibus Module to the bus OUT connection of the next node and/or module. Male connectors are supplied with externally threaded coupling nuts while female connectors are supplied with internally threaded coupling nuts. This allows you to daisy chain these lines in a variety of configurations.



- PUR jacketed for chemical and oil resistance
- Low-resistance contact design for repeated mating
- Provides a plug-and-play solution for quick field installation
- 360° shielded head design to reduce RFI/EMI

## Double-Ended Cordsets Specifications

|                               |  |
|-------------------------------|--|
| <b>MECHANICAL</b>             | CONNECTOR FACE: NYLON 6/6  |
|                               | MOLDED BODY: PUR   |
|                               | COUPLING NUT: ZINC DIECAST W/ BLACK EPOXY COAT (UNSHIELDED) OR NICKEL-PLATED BRASS (360° SHIELDED)             |
| <b>CABLE</b>                  | OUTSIDE DIAMETER: 0.338" (8.6 mm)  |
| <b>CABLE CONSTRUCTION:</b>    | JACKET MATERIAL: PUR   |
|                               | INNER MATERIAL INSULATION: POLYETHYLENE  |
|                               | SHIELD TYPE: ALUMINUM FOIL 100%  |
|                               | CONDUCTOR: TINNED COPPER BRAID 80% TWISTED PAIR 0.34 mm <sup>2</sup> STRANDED COPPER WIRE                      |
| <b>CABLE FLEX INFORMATION</b> | TORSION: SURVIVED MORE THAN 2 MILLION CYCLES AT 360° OVER 1 M  |
|                               | C-TRACK: SURVIVED MORE THAN 3 MILLION CYCLES AT ACCELERATION OF 10 M/s <sup>2</sup> AND PROCESS SPEED OF 5 M/s |
|                               | BEND RADIUS: 10 X CABLE DIAMETER   |
| <b>ELECTRICAL</b>             | VOLTAGE RATING: 250V AC/DC   |
|                               | AMPERAGE: 4A   |
| <b>ENVIRONMENTAL</b>          | PROTECTION: IP67, NEMA 6P  |
|                               | AMBIENT OPERATING TEMP: -4° TO 176° F (-20° TO 80° C) MOVING   |

## Double-Ended Cordsets

|            |   |               |
|------------|---|---------------|
| FACE VIEWS | <p>MALE</p>   | <p>FEMALE</p> |
|            | <p>1 - NOT USED                      4 - RED (BUS-B)</p> <p>2 - GREEN (BUS-A)              5 - SHIELD</p> <p>3 - NOT USED</p> |               |
| COLOR CODE |   |               |
| VOLTAGE    | 250V AC / DC  |               |
| CURRENT    | 4A  |               |
| CABLE      | #22 AWG   |               |

| FEMALE/MALE       | FIG | DOUBLE-ENDED CORDSETS WITH CABLE 1 METER LONG |
|-------------------|-----|---|
| STRAIGHT/STRAIGHT | 1   | BB5S30PP4M020                                 |
| 90°/STRAIGHT      | 2   | BB5S31PP4M020                                 |
| STRAIGHT/90°      | 3   | BB5S32PP4M020                                 |
| 90°/90°           | 4   | BB5S33PP4M020                                 |

### CATALOG OPTIONS

\* See page 98-101 for additional mating receptacles Use the following chart to modify your part's specifications

## BB5S30PP4M020

#### CONNECTOR TYPE

360° SHIELDED HEAD . . . . . S  
UNSHIELDED HEAD . . . . . 0

#### CONNECTOR CONFIGURATION

STRAIGHT FEMALE TO STRAIGHT MALE . . . . . 30  
90° FEMALE TO STRAIGHT MALE . . . . . 31  
STRAIGHT FEMALE TO 90° MALE . . . . . 32  
90° FEMALE TO 90° MALE . . . . . 33

#### CABLE LENGTH

0.6 METERS . . . . . M006  
2 METERS . . . . . M020  
5 METERS . . . . . M050

### CONNECTOR DIMENSIONS

#### Female Straight/Male Straight

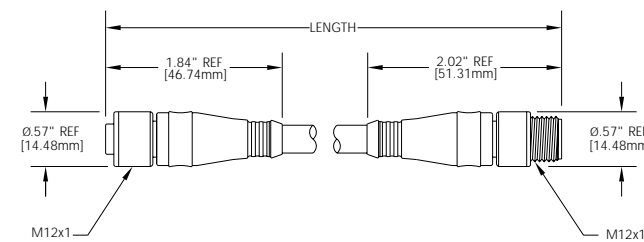


FIG 1

### CONNECTOR DIMENSIONS

#### Female 90°/Male Straight

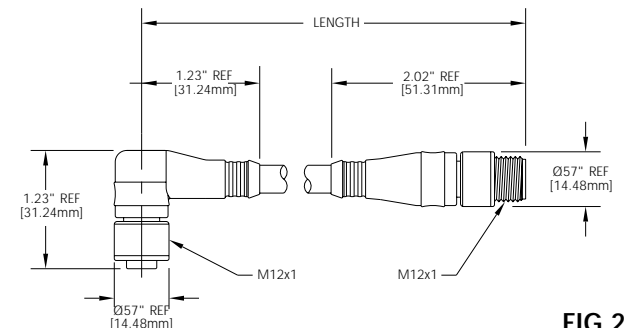


FIG 2

#### Female Straight/Male 90°

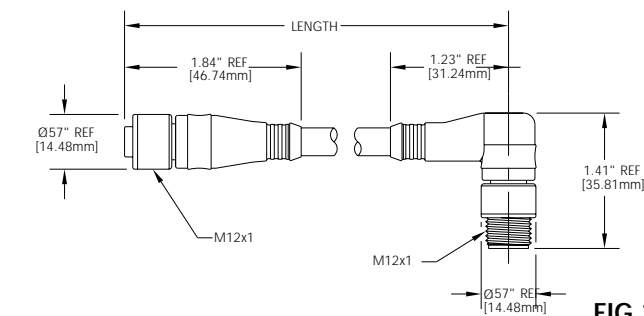


FIG 3

#### Female 90°/Male 90°

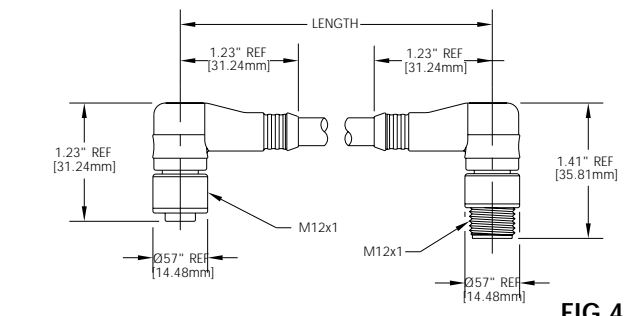


FIG 4