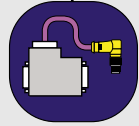


## D-Sub Cordsets

- 9-pin D-Sub to dual reverse key Micro-Change® connectors

Profibus Reverse Key Micro-Change® to 9-pin D-Sub cordsets are available in dual cable versions. These cordsets are used in a variety of configurations where a complete daisy-chain plug-and-play solution is desired. The cordsets are designed to provide a splitter connection which allows you to connect one module to the next. For instance a dual cable can be connected to the bus OUT connection of a Profibus Module and the D-Sub can be connected to a Profibus interface card with the remaining end being connected to the bus in of the next module. Male connectors are supplied with externally threaded coupling nuts while female connectors are supplied with internally threaded coupling nuts, and the 9-pin D-Sub has a male pin out configuration. D-Sub termination switch is shipped from factory pre-set in the "off" position.



- PUR jacketed for chemical and oil resistance
- D-Sub connector enables interface card connection
- The shielded D-Sub connector maintains signal integrity in noisy environments
- 360° shielded Micro-change head design to reduce RFI/EMI
- D-Sub includes termination switch for field installation flexibility

## D-Sub Cordsets

### Specifications

### CONNECTOR DIMENSIONS

#### D-Sub to Straight Male

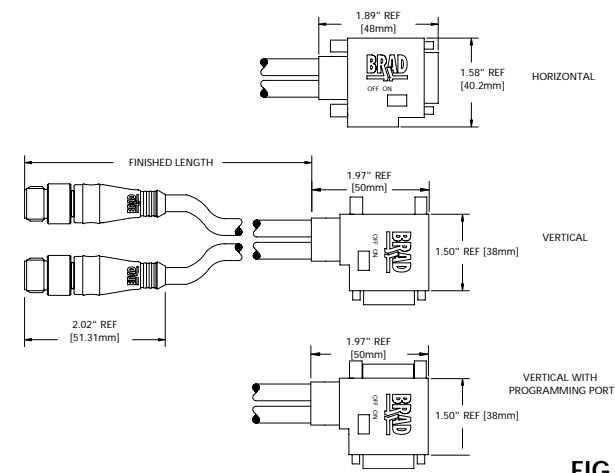


FIG 1

#### D-Sub to 90° Male

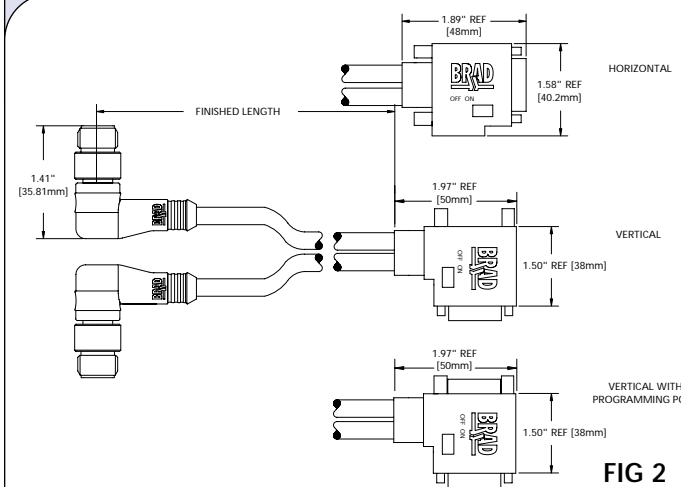


FIG 2

#### D-Sub to Straight Female

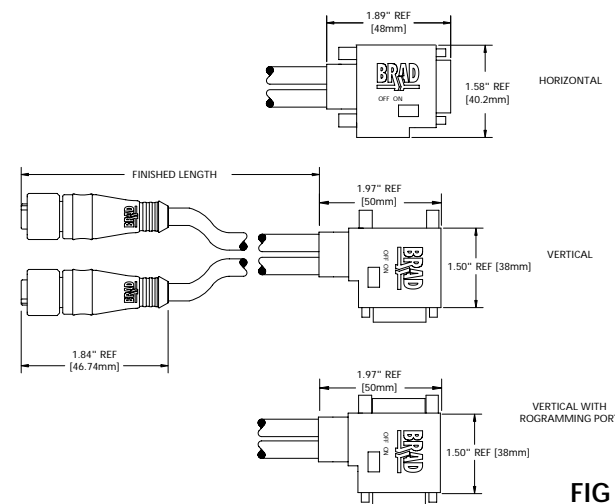


FIG 3

### CONNECTOR DIMENSIONS

#### D-Sub to 90° Female

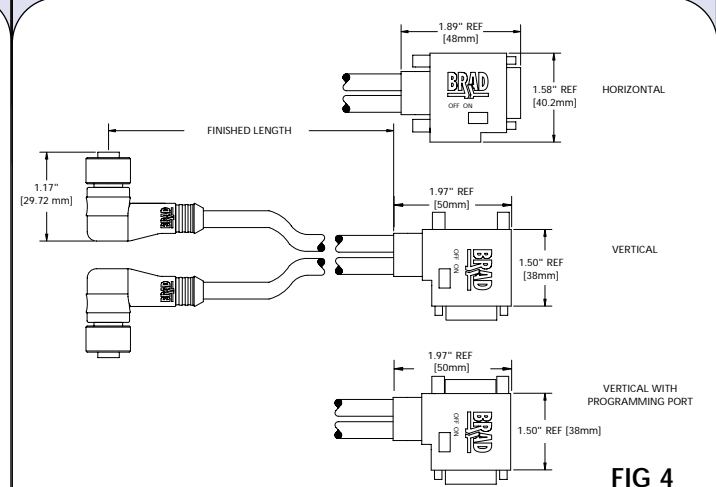


FIG 4

#### D-Sub to Straight Male and Female

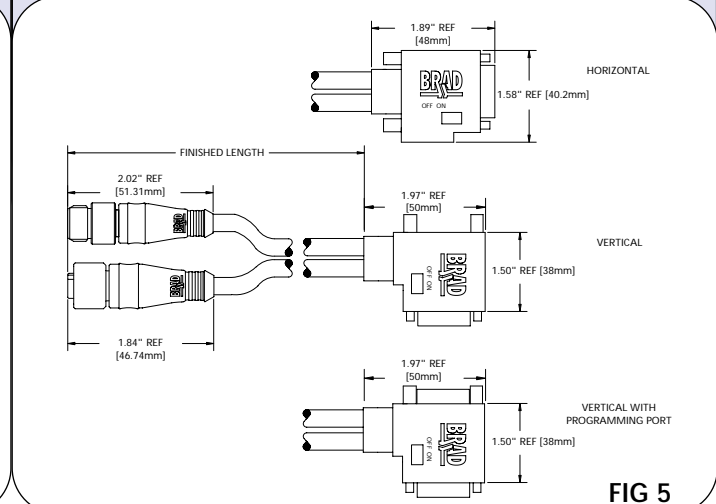


FIG 5

- MECHANICAL**  
CONNECTOR FACE: NYLON 6/6  
MOLDED BODY: PUR  
COUPLING NUT: ZINC DIECAST W/ BLACK EPOXY COAT (UNSHIELDED) OR NICKEL-PLATED BRASS (360° SHIELDED)
- ENVIRONMENTAL**  
PROTECTION: IP67, NEMA 6P  
AMBIENT OPERATING TEMP: -4° TO 176° F (-20° TO 80° C)
- MECHANICAL (9-PIN D-SUB CONNECTOR)**  
MATERIAL: ABS
- ENVIRONMENTAL (9-PIN D-SUB CONNECTOR)**  
PROTECTION: IP40  
AMBIENT OPERATING TEMPERATURE: 32° TO 140° F (0° TO 60° C)
- CABLE**  
OUTSIDE DIAMETER: 0.338" (8.6 mm)
- CABLE CONSTRUCTION**  
JACKET MATERIAL: PUR  
INNER MATERIAL INSULATION: POLYETHYLENE  
SHIELD TYPE: ALUMINUM FOIL 100%, TINNED COPPER BRAID 80%  
CONDUCTOR: TWISTED PAIR 0.34 mm², STRANDED COPPER WIRE
- CABLE FLEX INFORMATION**  
TORSION: SURVIVED MORE THAN 2 MILLION CYCLES AT 360° OVER 1 M  
C-TRACK: SURVIVED MORE THAN 3 MILLION CYCLES AT ACCELERATION OF 10 M/S² AND PROCESS SPEED OF 5 M/S 10 X CABLE DIAMETER
- BEND RADIUS:**
- ELECTRICAL**  
VOLTAGE RATING: 250V AC/DC  
AMPERAGE: 4A

## D-Sub Cordsets

FACE VIEWS	MALE D-SUB	MALE	FEMALE
COLOR CODE	1 - NOT USED 2 - NOT USED 3 - RED (BUS-B) 4 - NOT USED 5 - NOT USED 6 - NOT USED 7 - NOT USED 8 - GREEN (BUS-A) 9 - NOT USED	1 - NOT USED 2 - GREEN (BUS-A) 3 - NOT USED	4 - RED (BUS-B) 5 - SHIELD
VOLTAGE	250V AC / DC		
CURRENT	4A		
CABLE	#22 AWG		

	FIG	HORIZONTAL D-SUB	VERTICAL D-SUB	VERTICAL D-SUB WITH PROGRAMMING PORT
(2) STRAIGHT MALE MICRO-CHANGE	1	BM5G60PP4M020	BM5G62PP4M020	BP5G62PP4M020
(2) 90° MALE MICRO-CHANGE	2	BM5G61PP4M020	BM5G63PP4M020	BP5G63PP4M020
(2) STRAIGHT FEMALE MICRO-CHANGE	3	BM5G30PP4M020	BM5G32PP4M020	BP5G32PP4M020
(2) 90° FEMALE MICRO-CHANGE	4	BM5G31PP4M020	BM5G33PP4M020	BP5G33PP4M020
(1) STRAIGHT MALE (1) STRAIGHT FEMALE	5	BM5G70PP4M020	BM5G72PP4M020	BP5G72PP4M020

### CATALOG OPTIONS

Use the following chart to modify your part's specifications

**BM5G62PP4M010**

**CONNECTOR TYPE**

- 360° SHIELDED HEAD . . . . . G
- UNSHIELDED HEAD . . . . . H

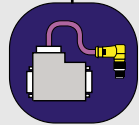
**CABLE LENGTH**

- 1 METER . . . . . M010
- 2 METER . . . . . M020
- 5 METER . . . . . M050

## D-Sub Cordsets

- 9-pin D-sub to single reverse key Micro-Change® connector

Profibus Reverse Key Micro-Change® to 9-pin D-Sub cordsets are available in single cable versions. These cordsets are used in a variety of configurations where a complete daisy-chain plug-and-play solution is desired. The cordsets are designed to provide end of segment node connections. For instance a double-ended cordset can be connected to the bus OUT connection of a Profibus Module and the D-Sub can be connected to a Profibus interface card. Male connectors are supplied with externally threaded coupling nuts while female connectors are supplied with internally threaded coupling nuts, and the 9-pin D-Sub has a male pin out configuration. D-Sub termination switch is shipped from factory pre-set in the "off" position.



- PUR jacketed for chemical and oil resistance
- D-Sub connector enables interface card connection
- D-Sub connector provides termination circuitry
- 360° shielded micro-change head design to reduce RFI/EMI
- D-Sub includes termination switch for field installation flexibility

## D-Sub Cordsets

### Specifications

**MECHANICAL (MICRO-CHANGE CONNECTOR)**  
 CONNECTOR FACE: NYLON 6/6  
 MOLDED BODY: PUR  
 COUPLING NUT: ZINC DIECAST W/ BLACK EPOXY COAT (UNSHIELDED)  
 OR NICKEL-PLATED BRASS (360° SHIELDED)

**ENVIRONMENTAL (MICRO-CHANGE CONNECTOR)**  
 PROTECTION: IP67, NEMA 6P  
 AMBIENT OPERATING TEMP: -4° TO 176° F (-20° TO 80° C) MOVING

**MECHANICAL (9-PIN D-SUB CONNECTOR)**  
 MATERIAL: ABS

**ENVIRONMENTAL (9-PIN D-SUB CONNECTOR)**  
 PROTECTION: IP40  
 AMBIENT OPERATING TEMPERATURE: 32° TO 140° F (0° TO 60° C)

**CABLE**  
 OUTSIDE DIAMETER: 0.338" (8.6 mm)

**CABLE CONSTRUCTION**  
 JACKET MATERIAL: PUR  
 INNER MATERIAL INSULATION: POLYETHYLENE  
 SHIELD TYPE: ALUMINUM FOIL 100%  
 TINNED COPPER BRAID 80%  
 CONDUCTOR: TWISTED PAIR 0.34 mm²  
 STRANDED COPPER WIRE

**CABLE FLEX INFORMATION**  
 TORSION: SURVIVED MORE THAN 2 MILLION CYCLES AT 360° OVER 1 M  
 SURVIVED MORE THAN 3 MILLION CYCLES AT ACCELERATION OF 10 M/S² AND PROCESS SPEED OF 5 M/S  
 10 X CABLE DIAMETER

**ELECTRICAL**  
 VOLTAGE RATING: 250V AC/DC  
 AMPERAGE: 4A

## D-Sub Cordsets

FACE VIEWS	1 2 3 4 5	MALE	FEMALE
COLOR CODE	1 - NOT USED 2 - NOT USED 3 - RED (BUS-B) 4 - NOT USED 5 - NOT USED 6 - NOT USED 7 - NOT USED 8 - GREEN (BUS-A) 9 - NOT USED	1 - NOT USED 2 - GREEN (BUS-A) 3 - NOT USED	4 - RED (BUS-B) 5 - SHIELD
VOLTAGE	250V AC / DC		
CURRENT	4A		
CABLE	#22 AWG		

	FIG	HORIZONTAL D-SUB	VERTICAL D-SUB	VERTICAL D-SUB WITH PROGRAMMING PORT
STRAIGHT MALE MICRO-CHANGE	1	BM5S60PP4M020	BM5S62PP4M020	BP5S62PP4M020
90° MALE MICRO-CHANGE	2	BM5S61PP4M020	BM5S63PP4M020	BP5S63PP4M020
STRAIGHT FEMALE MICRO-CHANGE	3	BM5S30PP4M020	BM5S32PP4M020	BP5S32PP4M020
90° FEMALE MICRO-CHANGE	4	BM5S31PP4M020	BM5S33PP4M020	BP5S33PP4M020

### CATALOG OPTIONS

Use the following chart to modify your part's specifications

**BM5S62PP4M020**

**CONNECTOR TYPE**

360° SHIELDED HEAD . . . . . **S**  
 UNSHIELDED HEAD . . . . . **O**

**CABLE LENGTH**

1 METER . . . . . M010  
 2 METER . . . . . M020  
 5 METER . . . . . M050

### CONNECTOR DIMENSIONS

#### D-Sub to Straight Male

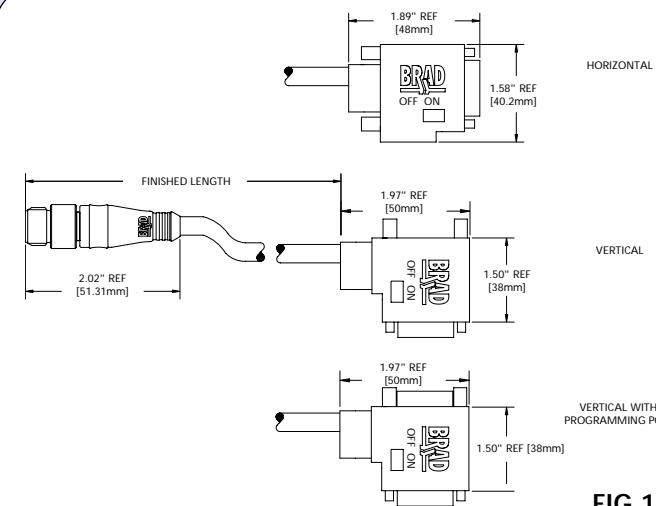


FIG 1

### CONNECTOR DIMENSIONS

#### D-Sub to Straight Female

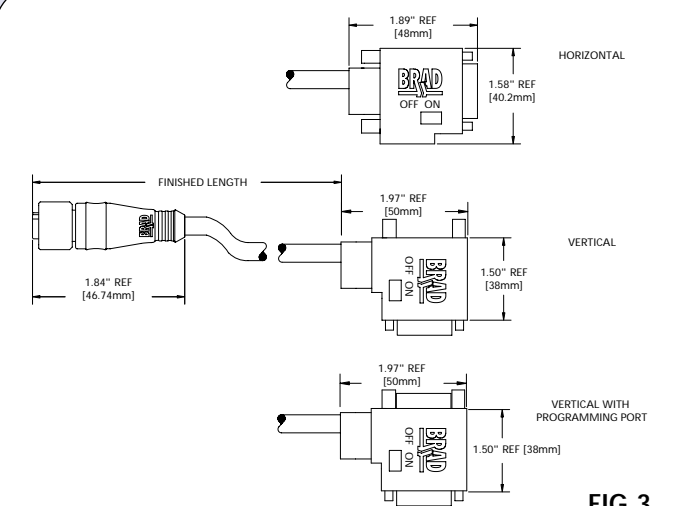


FIG 3

#### D-Sub to 90° Male

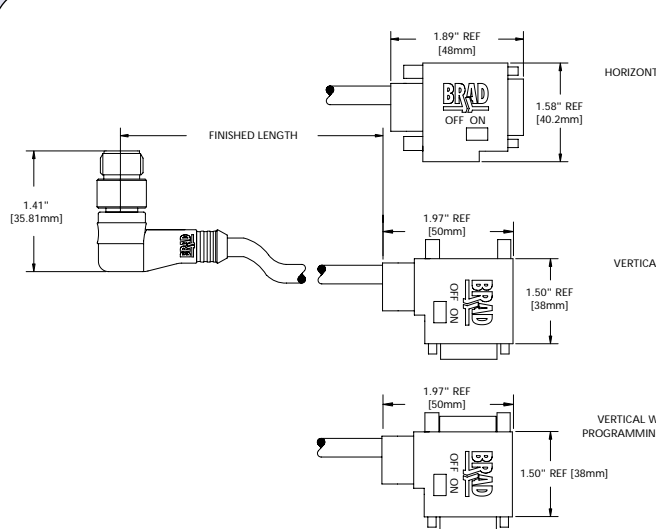


FIG 2

#### D-Sub to 90° Female

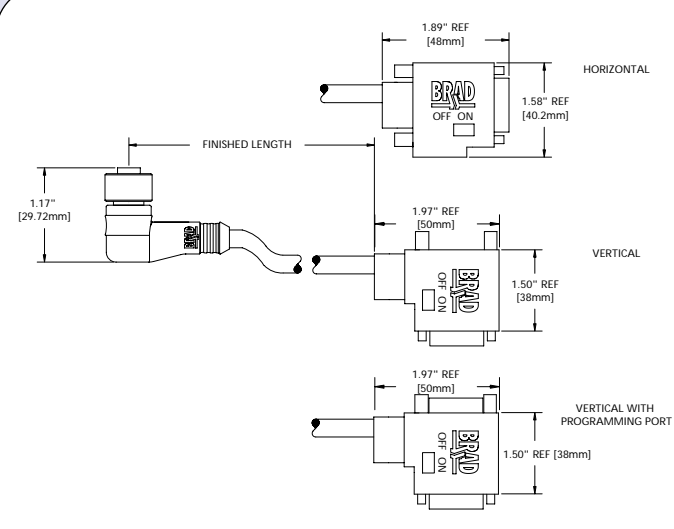
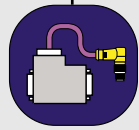


FIG 4

## D-Sub Cordsets

- 9-pin D-sub to Dual 9-pin D-sub

Profibus 9-Pin D-Sub cordsets are available in dual cable versions. These products are manufactured with 9-Pin D-Sub connectors assembled to custom lengths of cable to save you time during system installation. Both versions include an integral termination switch which provides the end user flexibility in assigning end segment nodes. The cordsets are used in a variety of configurations where a complete plug-and-play solution is desired. For instance a double-ended D-Sub can be connected from the PLC to another Profibus enabled node that is acting as a slave on the network such as a PLC network communication module. The product is grounded via the connector shell and mounting screws. D-Sub termination switch is shipped from factory pre-set in the "off" position.



- PUR jacketed for chemical and oil resistance
- D-Sub connector enables interface card connection
- D-Sub connector provides termination circuitry
- D-Sub includes termination switch for field installation flexibility

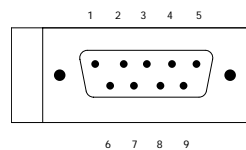
## D-Sub Cordsets

### Specifications

<b>MECHANICAL</b>	MATERIAL: ABS
<b>ENVIRONMENTAL</b>	PROTECTION: IP40
AMBIENT OPERATING TEMPERATURE:	32° TO 140° F (0° TO 60° C)
<b>CABLE</b>	OUTSIDE DIAMETER: 0.338" (8.6 mm)
<b>CABLE CONSTRUCTION</b>	JACKET MATERIAL: PUR
INNER MATERIAL INSULATION	POLYETHYLENE
SHIELD TYPE	ALUMINUM FOIL 100%
CONDUCTOR:	TINNED COPPER BRAID 80% TWISTED PAIR 0.34 mm <sup>2</sup> STRANDED COPPER WIRE
<b>CABLE FLEX INFORMATION</b>	TORSION: SURVIVED MORE THAN 2 MILLION CYCLES AT 360° OVER 1 M
C-TRACK:	SURVIVED MORE THAN 3 MILLION CYCLES AT ACCELERATION OF 10 M/s <sup>2</sup> AND PROCESS SPEED OF 5 M/s 10 X CABLE DIAMETER
BEND RADIUS:	
<b>ELECTRICAL</b>	VOLTAGE RATING: 30V DC
AMPERAGE:	4A

## D-Sub Cordsets

FACE VIEWS



COLOR CODE

1 - NOT USED	4 - NOT USED	7 - NOT USED
2 - NOT USED	5 - NOT USED	8 - GREEN (BUS-A)
3 - RED (BUS-B)	6 - NOT USED	9 - NOT USED

VOLTAGE

30V AC / DC

CURRENT

4A

CABLE

#22 AWG

D-SUB CONNECTOR CONFIGURATION	FIG	HORIZONTAL D-SUB	VERTICAL D-SUB	VERTICAL D-SUB WITH PROGRAMMING PORT
(2) HORIZONTAL	1	MM3G60PP4M020	MM3G62PP4M020	MP3G62PP4M020
(2) VERTICAL	2	MM3G61PP4M020	MM3G63PP4M020	MP3G63PP4M020
(1) HORIZONTAL (1) VERTICAL	3	MM3G70PP4M020	MM3G72PP4M020	MM3G72PP4M020

### CATALOG OPTIONS

Use the following chart to modify your part's specifications

MM3G62PP4M020

#### CABLE LENGTH

1 METER	M010
2 METER	M020
5 METER	M050

## CONNECTOR DIMENSIONS

### D-Sub to (2) D-Sub Horizontal

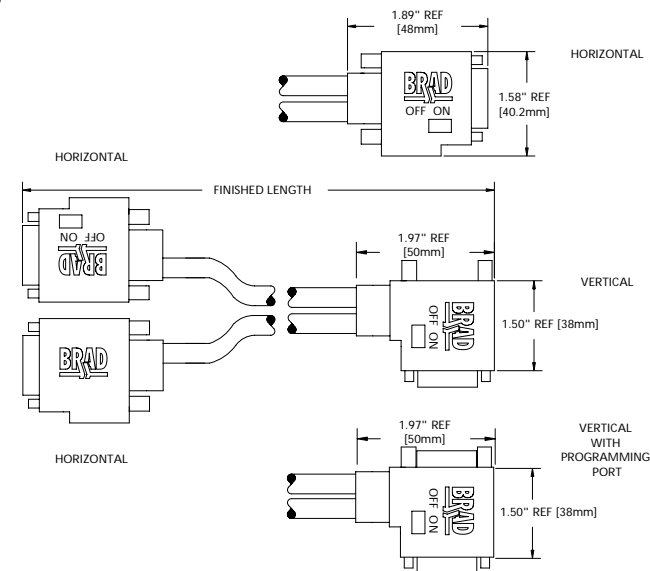


FIG 1

### D-Sub to (2) D-Sub Vertical

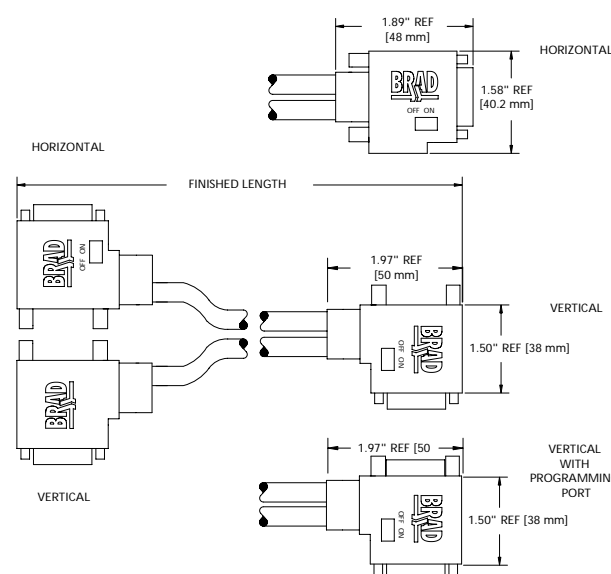


FIG 2

## CONNECTOR DIMENSIONS

### D-Sub to D-Sub Vertical and D-Sub Horizontal

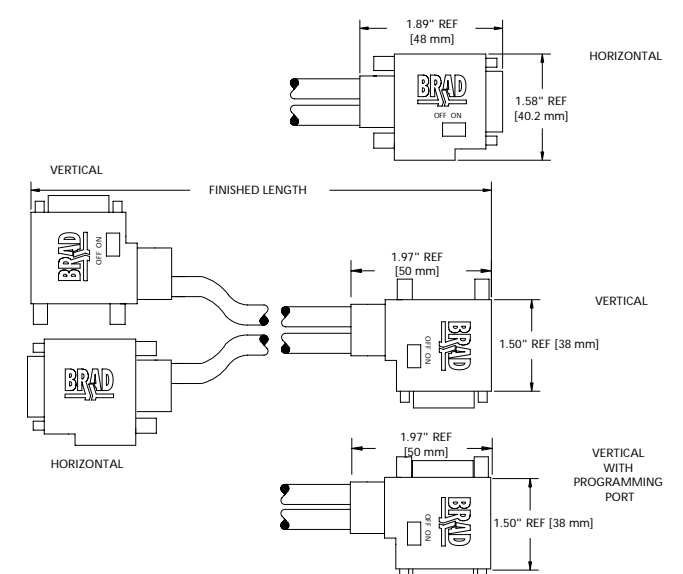
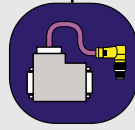


FIG 3

## D-Sub Cordsets

- 9-pin D-Sub to connector

Profibus 9-Pin D-Sub cordsets are available in single- and double-ended versions. These products are manufactured with 9-Pin D-Sub connectors assembled to custom lengths of cable to save you time during system installation. Both versions include an integral termination switch which provides the end user flexibility in assigning end segment nodes. The cordsets are used in a variety of configurations where a complete plug-and-play solution is desired. For instance a double-ended D-Sub can be connected from the PLC to another Profibus enabled node that is acting as a slave on the network such as a PLC network communication module. The product is grounded via the connector shell and mounting screws. D-Sub termination switch is shipped from factory pre-set in the "off" position.



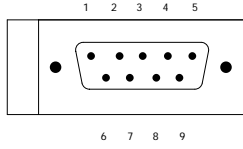
- PUR jacketed for chemical and oil resistance
- D-Sub connector enables interface card connection
- D-Sub connector provides termination circuitry
- D-Sub includes termination switch for field installation flexibility

## D-Sub Cordsets

### Specifications

<b>MECHANICAL</b>	MATERIAL: ABS
<b>ENVIRONMENTAL</b>	PROTECTION: IP40
AMBIENT OPERATING TEMPERATURE:	32° TO 140° F (0° TO 60° C)
<b>CABLE</b>	OUTSIDE DIAMETER: 0.338" (8.6 mm)
<b>CABLE CONSTRUCTION</b>	JACKET MATERIAL: PUR
INNER MATERIAL INSULATION	POLYETHYLENE
SHIELD TYPE	ALUMINUM FOIL 100%
CONDUCTOR:	TINNED COPPER BRAID 80% TWISTED PAIR 0.34 mm <sup>2</sup> STRANDED COPPER WIRE
<b>CABLE FLEX INFORMATION</b>	TORSION: SURVIVED MORE THAN 2 MILLION CYCLES AT 360° OVER 1 M
C-TRACK:	SURVIVED MORE THAN 3 MILLION CYCLES AT ACCELERATION OF 10 M/s <sup>2</sup> AND PROCESS SPEED OF 5 M/S
BEND RADIUS:	10 X CABLE DIAMETER
<b>ELECTRICAL</b>	VOLTAGE RATING: 30V DC
AMPERAGE:	4A

## D-Sub Cordsets

FACE VIEWS	
COLOR CODE	1 - NOT USED    4 - NOT USED    7 - NOT USED 2 - NOT USED    5 - NOT USED    8 - GREEN (BUS-A) 3 - RED (BUS-B)    6 - NOT USED    9 - NOT USED
VOLTAGE	30V AC / DC
CURRENT	4A
CABLE	#22 AWG

D-SUB CONNECTOR CONFIGURATION	FIG	HORIZONTAL	VERTICAL	VERTICAL WITH PROGRAMMING PORT
HORIZONTAL	1	MM3S60PP4M020	MM3S62PP4M020	MP3S62PP4M020
VERTICAL	2	MM3S62PP4M020	MM3S63PP4M020	MP3S63PP4M020
SINGLE ENDED	3	M03S06PP4M020	M03S07PP4M020	P03S07PP4M020

### CATALOG OPTIONS

Use the following chart to modify your part's specifications

MM3S62PP4M020

#### CABLE LENGTH

1 METER	M010
2 METER	M020
5 METER	M050

## CONNECTOR DIMENSIONS

### D-Sub to D-Sub Horizontal

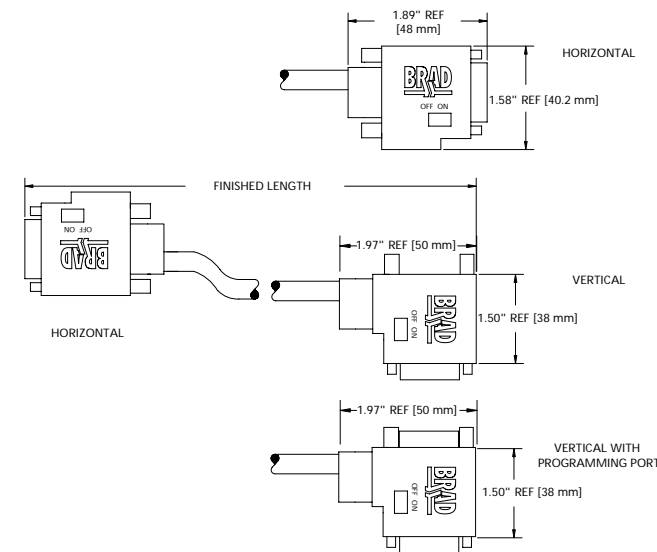


FIG 1

### D-Sub to D-Sub Vertical

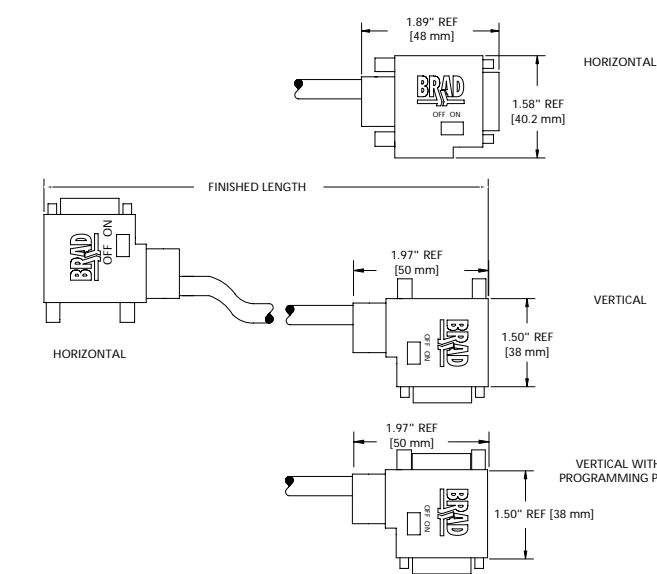


FIG 2

## CONNECTOR DIMENSIONS

### Single Ended D-Sub

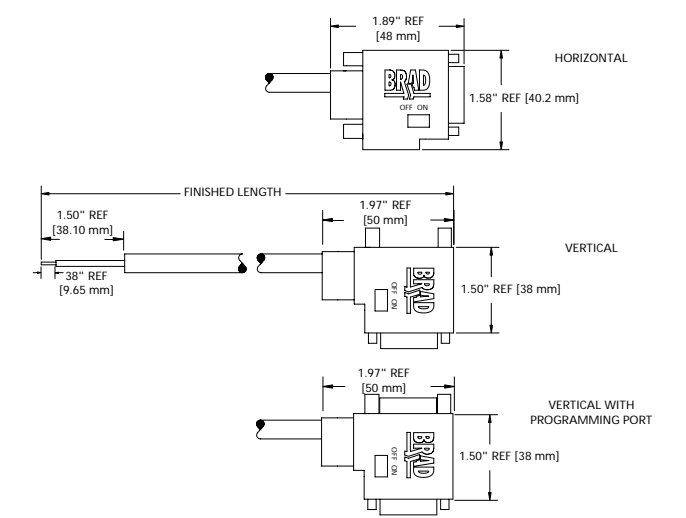


FIG 3