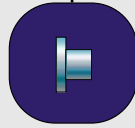


Data Line Receptacles

- Male and female Reverse Key Micro-Change® receptacles
- Back panel mount
- Cable or wire lead

A variety of receptacles allow the data line to enter an enclosure and make a connection to the inside of the panel and its components. Male or female receptacles can be mounted to the enclosure with wire leads connecting to the open terminal strip of a motor controller, the master scanner card engaged in the PLC or a power supply which is supplying power for the network. The length of the cable or wire can be varied.



- Epoxy potted for durability
- Provides a quick disconnect solution to control panels
- Enables plug-and-play to junction boxes

Data Line Receptacles

Specifications

- MECHANICAL**
 - SHELL: NICKEL-PLATED BRASS
 - INSERT: NYLON 6/6
 - O-RING: NITRILE RUBBER
- CABLE CONSTRUCTION**
 - JACKET MATERIAL: PUR
 - INNER MATERIAL INSULATION: POLYETHYLENE
 - SHIELD TYPE: ALUMINUM FOIL 100%
 - CONDUCTOR: TINNED COPPER BRAID 80% TWISTED PAIR 0.34 mm² STRANDED COPPER WIRE
- CABLE FLEX INFORMATION**
 - TORSION: SURVIVED MORE THAN 2 MILLION CYCLES AT 360° OVER 1 METER
 - C-TRACK: SURVIVED MORE THAN 3 MILLION CYCLES AT ACCELERATION OF 10M/S² AND PROCESS SPEED UP TO 5M/S
 - BEND RADIUS: 10 X DIAMETER
- CABLE**
 - OUTSIDE DIAMETER: 0.338" (8.6 mm)
- ELECTRICAL**
 - VOLTAGE RATING: 25V AC/DC
 - AMPERAGE: 4A
- ENVIRONMENTAL**
 - PROTECTION: IP68, NEMA 6
 - AMBIENT OPERATING TEMP: -4° TO 176° F (-20° TO 80°C) MOVING

Data Line Receptacles

FACE VIEWS	<p>MALE</p>	<p>FEMALE</p>
	<p>1 - NOT USED 2 - GREEN(BUS-A) 3 - NOT USED</p>	<p>4 - RED(BUS-B) 5 - SHIELD</p>
COLOR CODE		
VOLTAGE	250V AC/DC	
CURRENT	4A	

MALE	FIG	RECEPTACLES WITH 1 METER CABLE LEAD AND M16 THREAD
STRAIGHT	1	BR5U76PP4M0103
FEMALE	FIG	RECEPTACLES WITH 1 METER CABLE LEAD AND M16 THREAD
STRAIGHT	2	BR5U70PP4M0103

CATALOG OPTIONS

Use the following chart to modify your part's specifications

BR5U76PP4M0103

CABLE LENGTH	OPTION
2 METERS	M020
5 METERS	M050

RECEPTACLE DIMENSIONS

Back Panel Mount Male Receptacle with M16 thread and cable lead

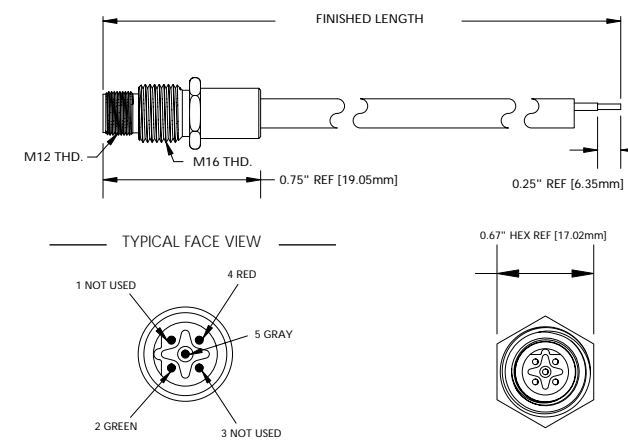


FIG 1

Back Panel Mount Female Receptacle with M16 thread and cable lead

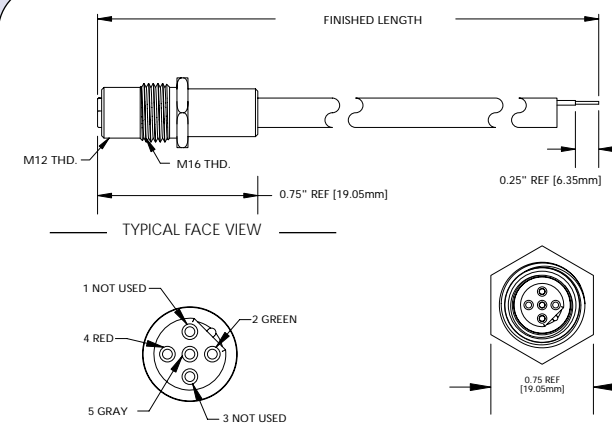


FIG 2

Data Line Receptacles

- Male and female Micro-Change® receptacles
- Front panel mount
- Bulkhead feed-thru



- Epoxy potted for industrial environments
- Used in control panels and junction boxes
- Used to feed through panels
- Can be used with Siemens ET 200 I/O block to provide a quick disconnect solution

A variety of receptacles allow the data line to enter an enclosure and make a connection to the inside of the panel and its components. Male or female receptacles can be mounted to the enclosure with wire leads connecting to the open terminal strip of a motor controller, the master scanner card engaged in the PLC or a power supply which is supplying power for the network. The length of the cable or wire can be varied. The bulkhead version allows a quick-disconnect to exist both on the exterior and interior of the panel or wall.

Trunk Receptacles

FACE VIEWS	MALE	FEMALE
COLOR CODE	1 - NOT USED 2 - GREEN(BUS-A) 3 - NOT USED	4 - RED(BUS-B) 5 - GRAY/DRAIN
VOLTAGE	250V AC/DC	
CURRENT	4A	

MALE	FIG	RECEPTACLES WITH 3" WIRE LEAD AND M16 THREAD
STRAIGHT	1	81688-030
FEMALE	FIG	RECEPTACLES WITH 3" WIRE LEAD AND M16 THREAD
STRAIGHT	2	81689-030
MALE/FEMALE	FIG	BULKHEAD FEED-THRU
STRAIGHT	3	BR5L30

Data Line Receptacles

Specifications

- MECHANICAL**
 SHELL: NICKEL-PLATED BRASS
 INSERT: NYLON 6/6
 CONDUCTORS: RECEPTACLES - #22 AWG PVC
 BULKHEAD FEED-THRU - SOLID PHOSPHOR BRONZE
- O-RING: NITRILE RUBBER
- ELECTRICAL**
 VOLTAGE RATING: 250V AC/DC
 AMPERAGE: 4A
- ENVIRONMENTAL**
 PROTECTION: IP68, NEMA 6P
 AMBIENT OPERATING TEMP: -4° TO 176° F (-20° TO 80°C)

RECEPTACLE DIMENSIONS

Front Panel Mount Male Receptacle

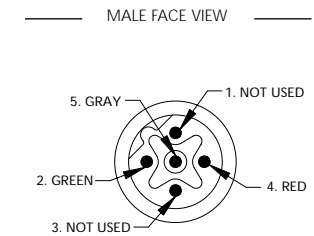
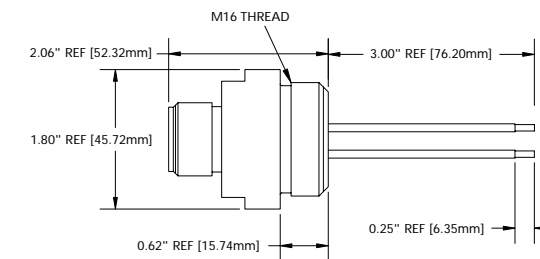


FIG 1

Front Panel Mount Female Receptacle

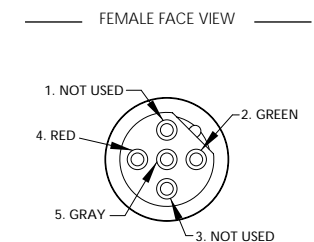
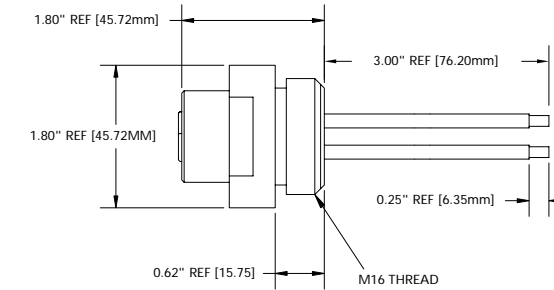


FIG 2

Bulkhead Feed-Thru

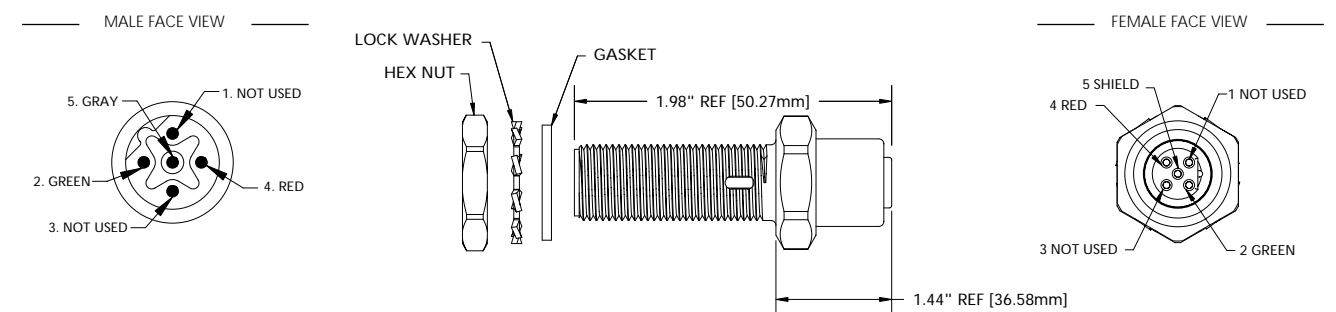
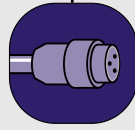


FIG 3

Data Line Tee

- Provides bus connection to Profibus nodes

The Profibus Data Line Tee provides network connection to Profibus enabled valves and other single port Profibus enabled devices. The single port drop enables "hot swap" capability, which allows you to disconnect a device without bringing the network down. The product's shielded design significantly reduces EMI and RFI while the line balancing inductors reduce signal reflection in the network. Maximum drop length should be considered when using this product.



- Provides quick disconnection of bus line
- Shielded to reduce EMI/RFI
- Allows disconnection of node without shutting down the network



Data Line Tee

Specifications

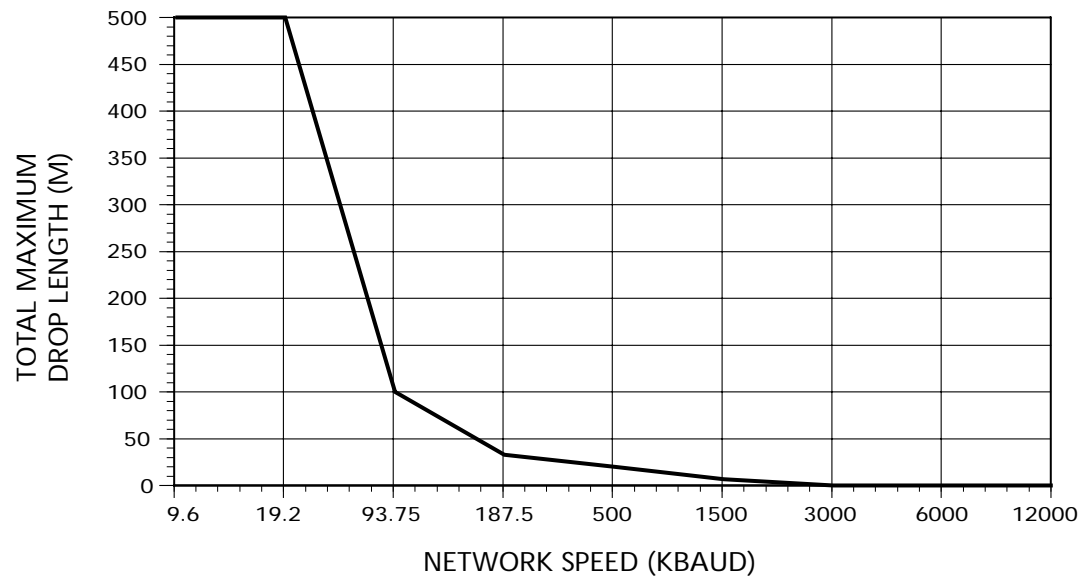
- MECHANICAL**
- CONNECTOR FACE: NYLON 6/6
- MOLDED BODY: PVC
- O-RING: VITON
- COUPLING NUTS: NICKEL-PLATED BRASS
- SHIELDING SLEEVES: NICKEL-PLATED BRASS
- ELECTRICAL**
- VOLTAGE RATING: 30V AC/ 36V D/C
- CURRENT RATING: 4A
- ENVIRONMENTAL**
- PROTECTION: IP67 (I.E.C. 605290)
- OPERATING TEMP: 77° TO 176° F (25° TO 80°C)
- GENERAL**

COUPLING NUTS, PIN 5 AND PCB ALL CONNECTED TO PROVIDE FULL SHIELDING REVERSE KEY FOR PROFIBUS CIRCUITRY INCLUDES LINE BALANCING INDUCTORS

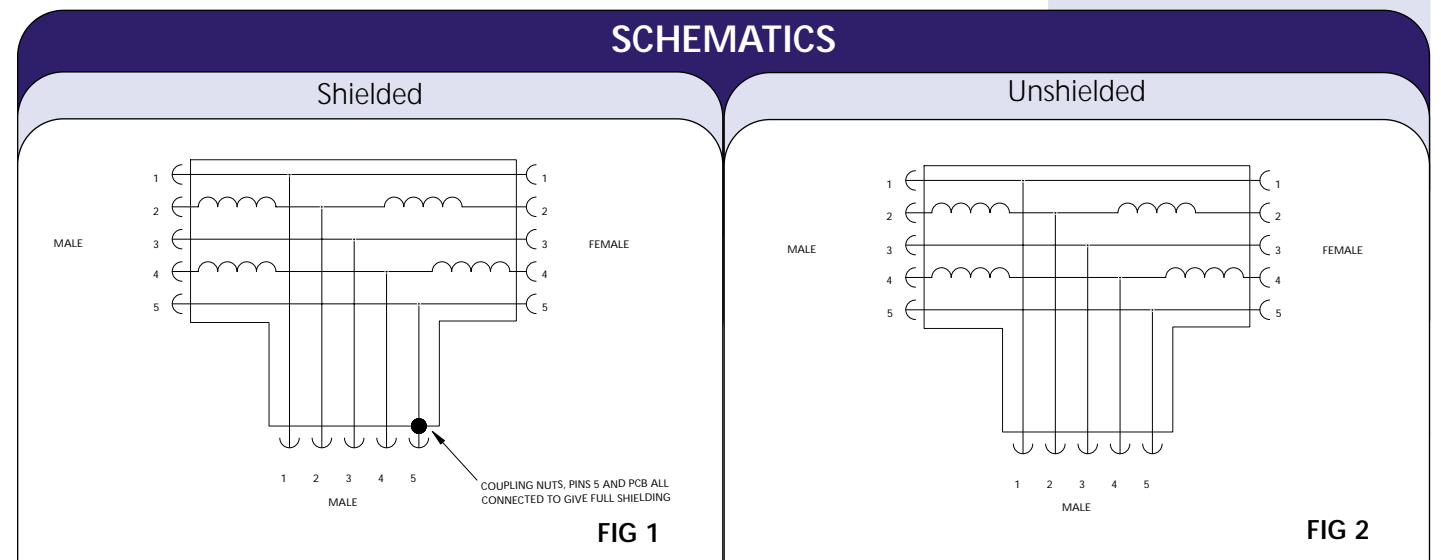
Data Line Tee

BUS IN MALE FACE VIEW		BUS OUT FEMALE FACE VIEW		DROP BUS MALE FACE VIEW	
COLOR CODE	1- NOT USED 2- GREEN(BUS-A)	3- NOT USED 4- RED(BUS-B)	5- DRAIN		
FIGURE	SHIELDED DATA LINE TEE				
1 AND 3	PDT001				
	UNSHIELDED DATA LINE TEE				
2 AND 4	PDT001				

Recommended Use of Drop Lines



SCHEMATICS



DIMENSIONS

